

ROOM

WWW.ROOMONLINE.COM



BB.O7.45

79" L x 29" D x 22" H

MATERIALS: HAND BLOWN GLASS, MACHINED BRASS. SELECT FINISHES.

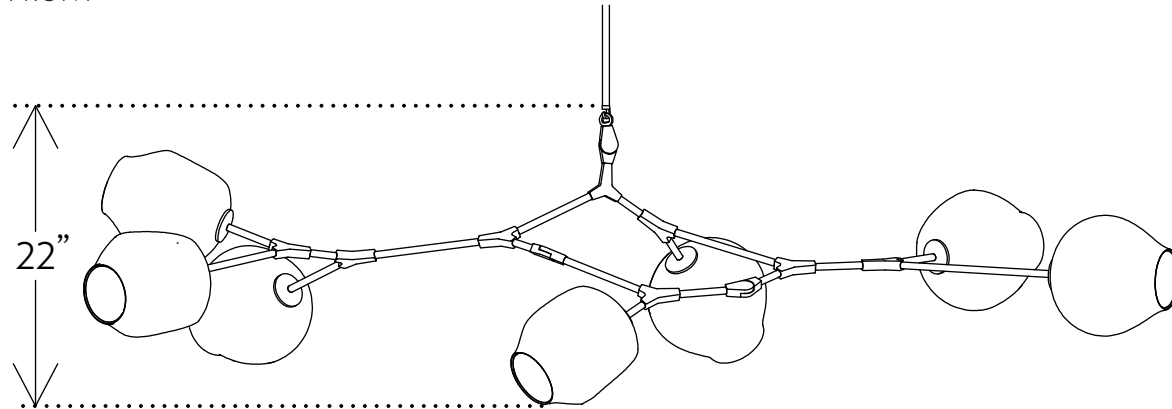
LAMPING: 60 WATT, E26 BASE QUAD LOOP EDISON BULBS PROVIDED.

ITEM NO. L1121

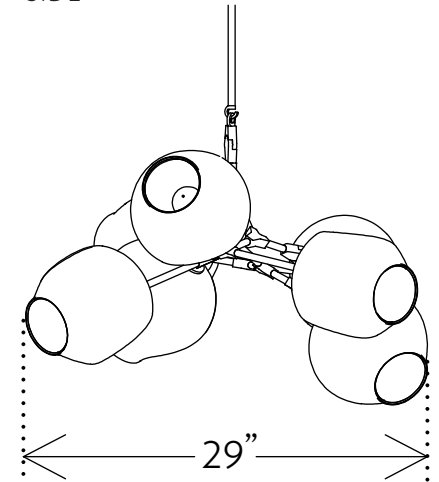
BRANCHING BUBBLE BB.07.45

H 22in/56cm W 79in/201cm D 29in/74cm WT 28lb/13kg MAX 420w Shown with 9" globes

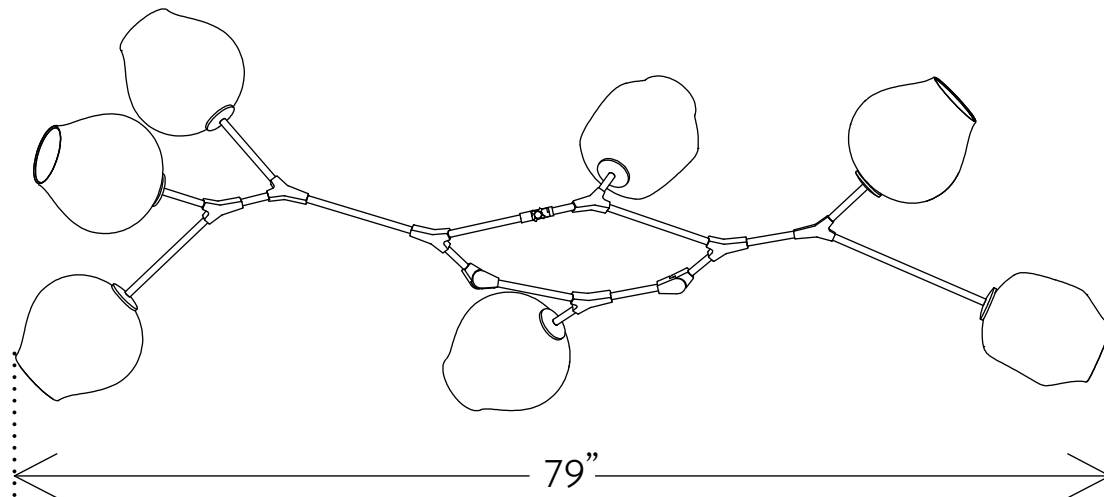
FRONT



SIDE



TOP



BRANCHING BUBBLE

Inspired by natural phenomena, Branching explores the visual tension that results from mixing hand-blown glass with machine-made metal parts. Lindsey Adelman and her team design and build each fixture in their Manhattan studio.

SUSPENSION Includes 36" or 72" stem that can be cut on-site. Longer lengths available upon request.

CANOPY Ø 5" x H .25"

MATERIALS Machined Brass Glass

SHADES 9" Glass Globe

BULBS	BULB TYPE	SOCKET	WATTAGE
120V	Quad Loop Edison	e26	60w
220/230V	Quad Loop Edison	e27	60w

