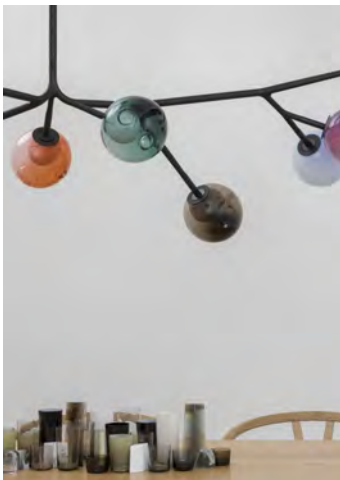


# ROOM

WWW.ROOMONLINE.COM



BOCCI 28A

DIMENSIONS: APPROX. 6" GLOBES WITH CUSTOMIZABLE OVERALL HEIGHT

MATERIALS / FINISHES: BLOWN GLASS AND STEEL WITH SEMI-MATTE, POWDER-COAT BLACK FINISH.

LAMPING: LED BULBS INCLUDED

ITEM NUMBER: LI381

# 28

28 series armature system in black powder coated stainless steel.

LED lamps, power supplies, and swag hook sets are included. Dimming type to be specified at time of order.

The fixture can be leveled with aircraft cable and swag hooks (if necessary).

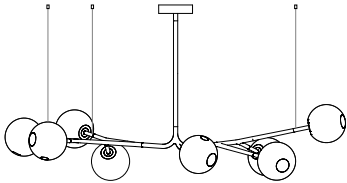
Standard armature comes with 500mm extender (except for 28.33a.1).  
28.33a.1 comes with 750mm extender.

Remote mounted power supplies recommended for ease of long term maintenance. Installation to be done by certified personnel to ensure code compliance.

**Recommended retail prices excluding taxes.**

US Patent # D687,740  
EU Patent # 001695834-001 to 004

Made in Vancouver, Canada



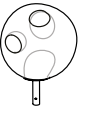
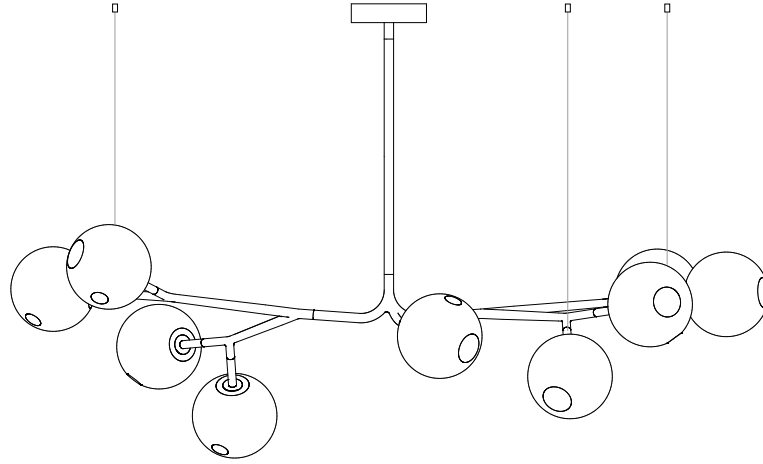
28.8a.1 armature

**Armature**

28.5a.1	Armature	Five clear pendants, 875mm height, with 500mm extender	\$9,785
28.8a.1	Armature	Eight clear pendants, 835mm height, with 500mm extender	\$12,760
28.8a.2	Armature	Eight clear pendants, 885mm height, with 500mm extender	\$12,760
28.9a.1	Armature	Nine clear pendants, 1031mm height, with 500mm extender	\$14,355
28.9a.2	Armature	Nine clear pendants, 970mm height, with 500mm extender	\$14,355
28.11a.1	Armature	Eleven clear pendants, 1031mm height, with 500mm extender	\$17,545
28.11a.2	Armature	Eleven clear pendants, 950mm height, with 500mm extender	\$17,545
28.13a.1	Armature	Thirteen clear pendants, 960mm height, with 500mm extender	\$20,735
28.17a.1	Armature	Seventeen clear pendants, 1067mm height, with 500mm extender	\$27,115
28.20a.1	Armature	Twenty clear pendants, 970mm height, with 500mm extender	\$31,900
28.23a.1	Armature	Twenty-three clear pendants, 1127mm height, with 500mm extender	\$36,685
28.33a.1	Armature	Thirty-three clear pendants, 1558mm height, with 750mm extender	\$52,635

**Options**

28	Colour pendants (per pendant)	+\$300
	Additional extender, maximum drop 2.5m	
	- 150mm	+\$75
	- 250mm	+\$100
	- 500mm	+\$150
	- 750mm (includes two additional clear pendants)	+\$1,900
	- 1200mm	+\$200



± Ø165mm

Image shown above 28.9a.2, 500mm extender, with pendant anchor kit

<b>Mounting</b>	Ceiling mounted
<b>Glass Colours</b>	Clear, various colours
<b>Lamp</b>	1.5W LED, 2500K, 130lm
<b>Extenders</b>	Available in 150mm, 250mm, 500mm, 1200mm, 750mm (attached with 2 pendants). Up to 2500mm drop
<b>Finish</b>	Black powder coated
<b>Materials</b>	Blown glass, black powder coated stainless steel armature, electrical components, matte black canopy
<b>Power Supply</b>	Integral Bocci recommends remote mounting power supplies for ease of long-term maintenance.
<b>Environment</b>	Indoor, dry location. IP20
<b>Note</b>	Pendant anchor kit included.  Every single Bocci product is handmade. They are blown, poured, carved, polished, packed and dispatched directly by us. As such, no two products are identical; they are individual, irregular expressions of our research.
<b>Patent #</b>	CAN 134238 US D687,740 EU 001695834-001 to 004

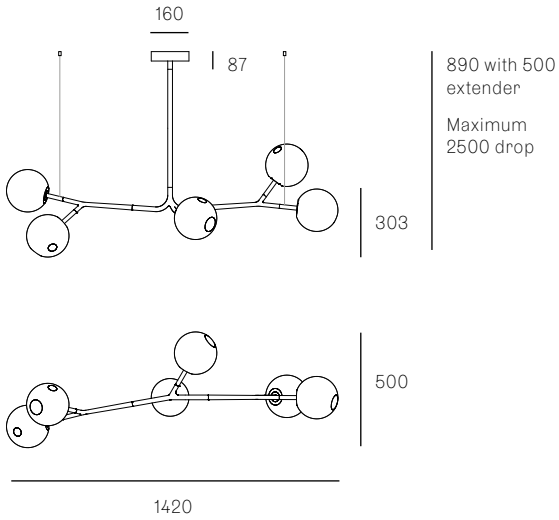
Weight (kg)	
<b>28.5a.1</b>	9.4
<b>28.8a.1</b>	14.4
<b>28.8a.2</b>	16.1
<b>28.9a.1</b>	16.5
<b>28.9a.2</b>	14.6
<b>28.11a.1</b>	21.7
<b>28.11a.2</b>	20.3
<b>28.13a.1</b>	23.7
<b>28.17a.1</b>	29.5
<b>28.20a.1</b>	35.1
<b>28.23a.1</b>	41.9
<b>28.33a.1</b>	59.1

**Certifications**

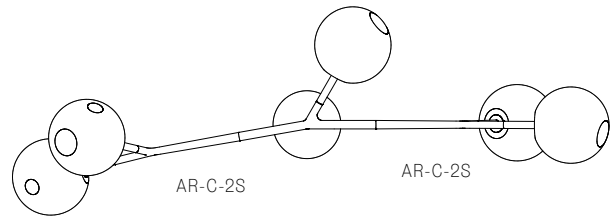
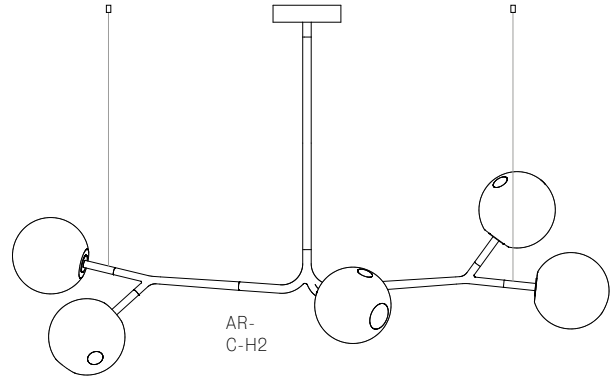
Each product is unique, there may be a variance in the weight up to 10%.

28.5A.1

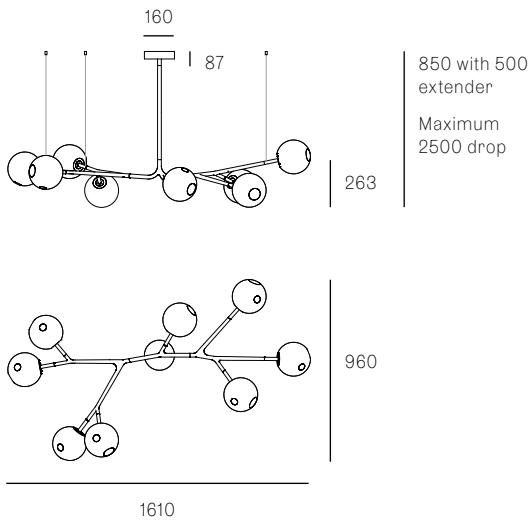
All dimensions are in millimeters (mm) unless otherwise specified.



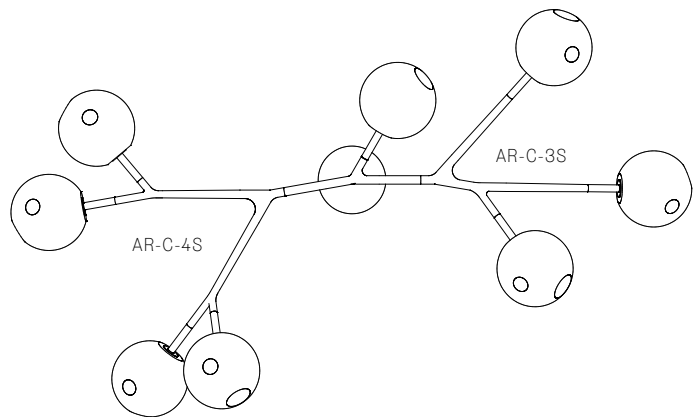
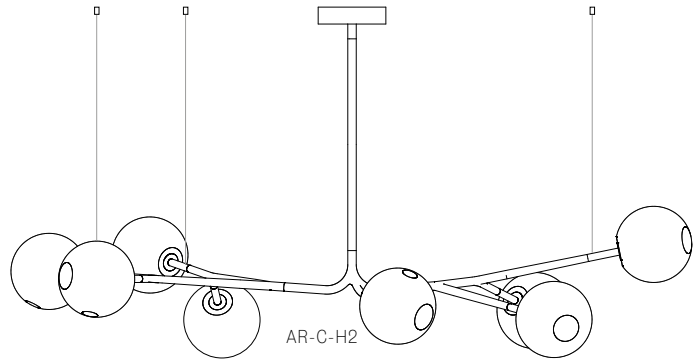
890 with 500 extender  
Maximum 2500 drop



28.8A.1

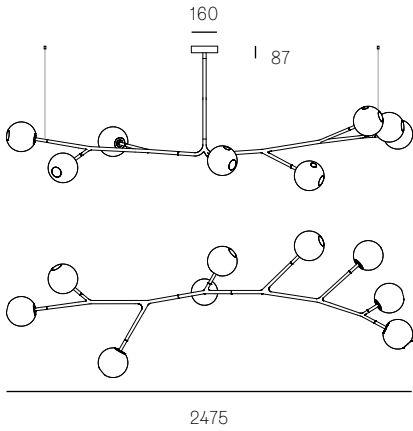


850 with 500 extender  
Maximum 2500 drop

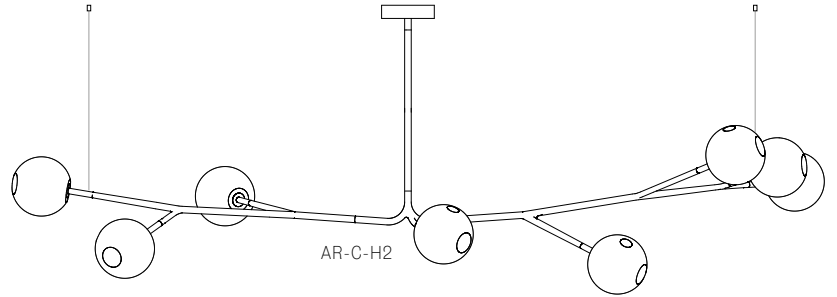


**28.8A.2**

All dimensions are in millimeters (mm) unless otherwise specified.

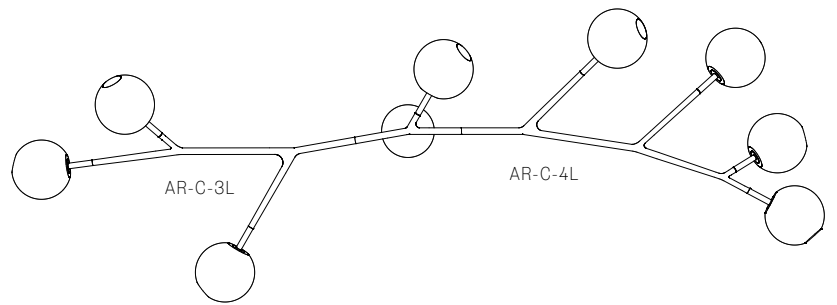


900 with 500 extender  
Maximum 2500 drop  
313



AR-C-H2

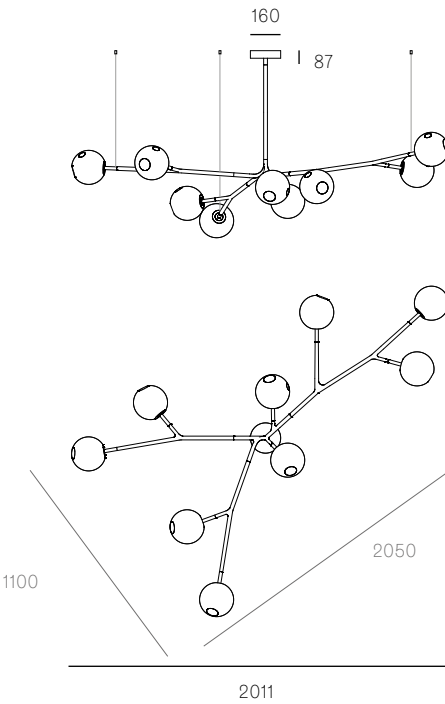
905



AR-C-3L

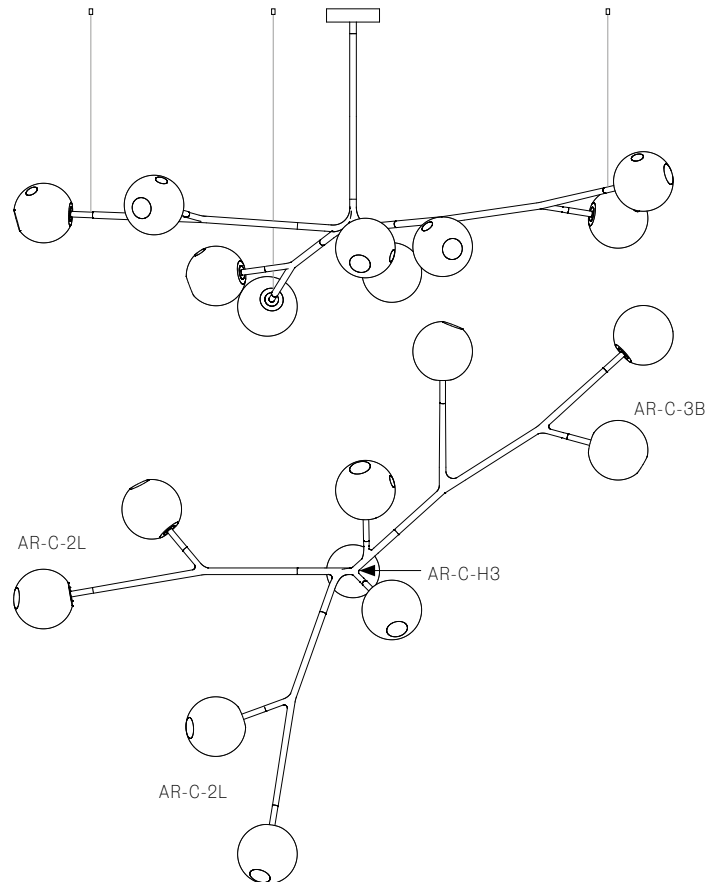
AR-C-4L

**28.9A.1**



1047 with 500 extender  
Maximum 2500 drop  
460

1732



AR-C-2L

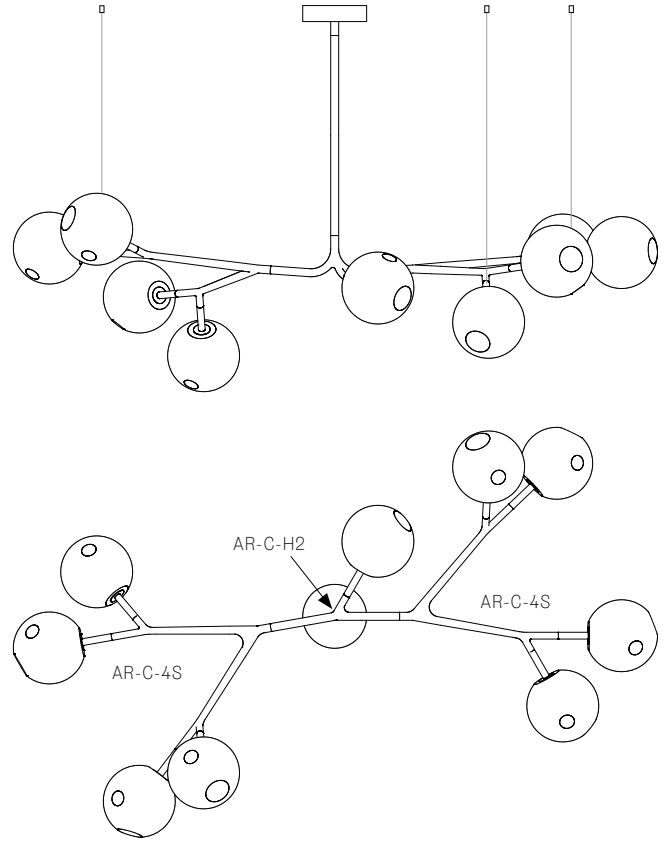
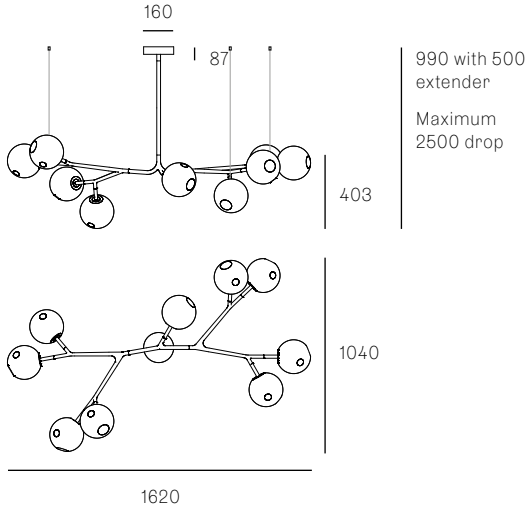
AR-C-3B

AR-C-H3

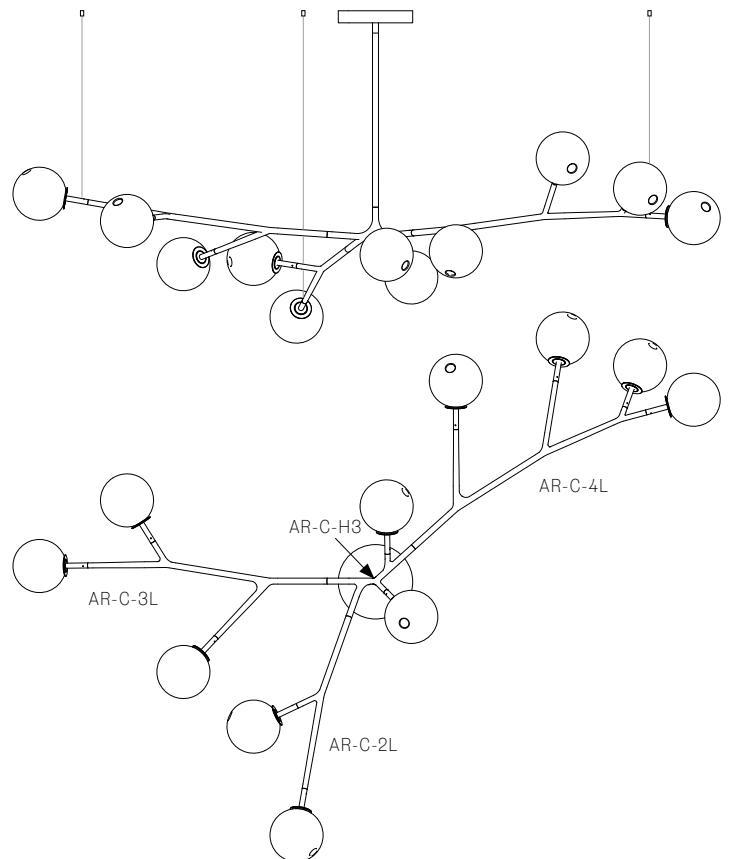
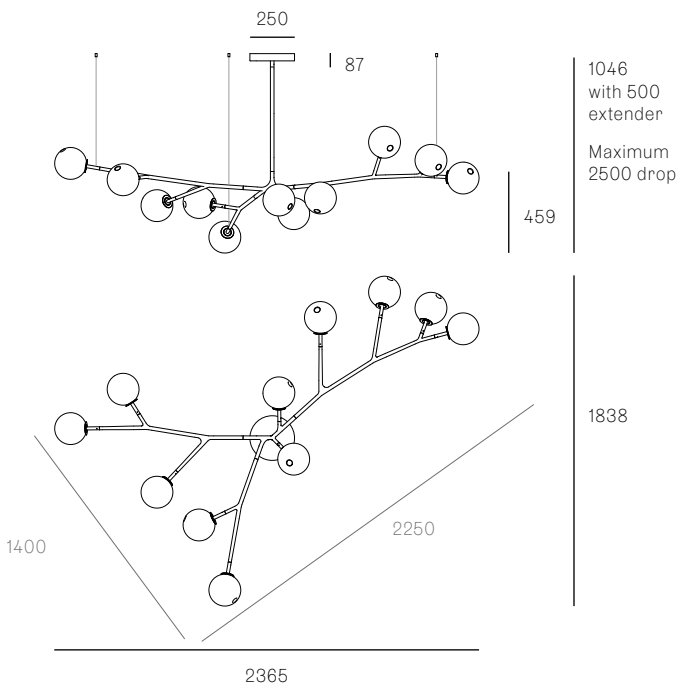
AR-C-2L

**28.9A.2**

All dimensions are in millimeters (mm) unless otherwise specified.

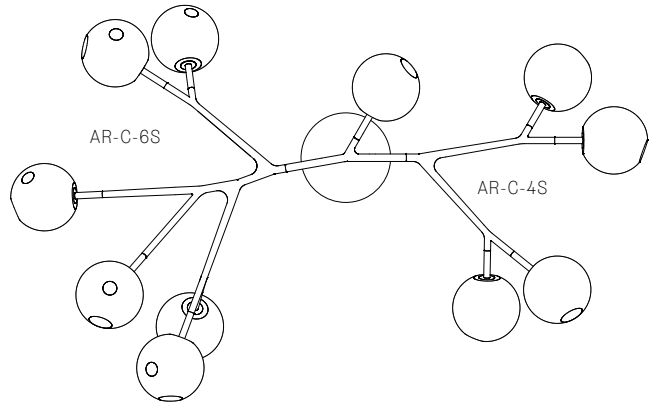
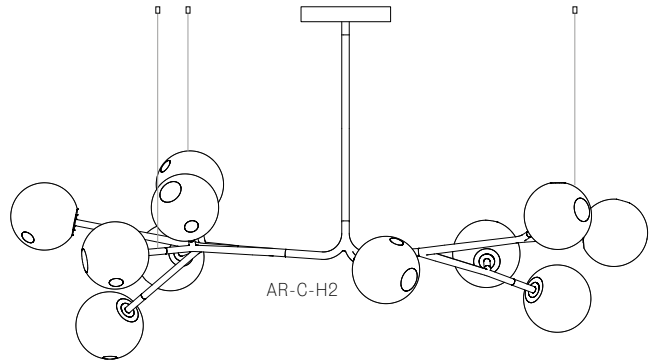
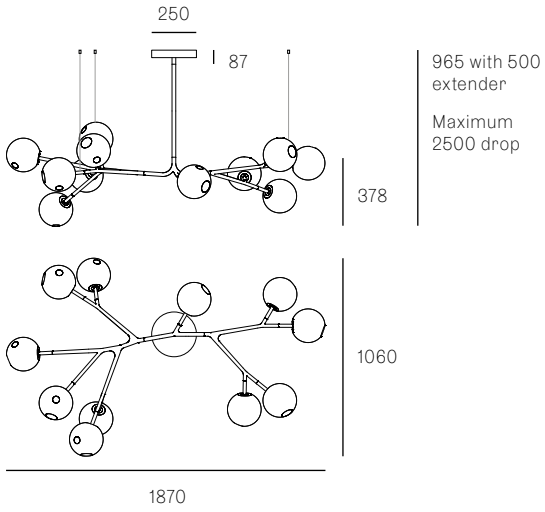


**28.11A.1**

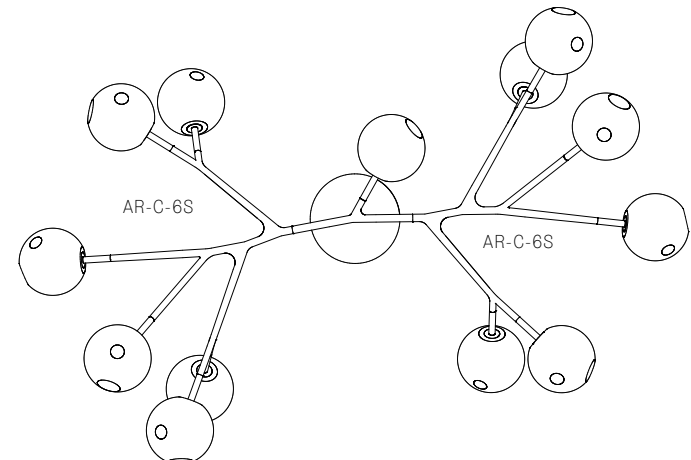
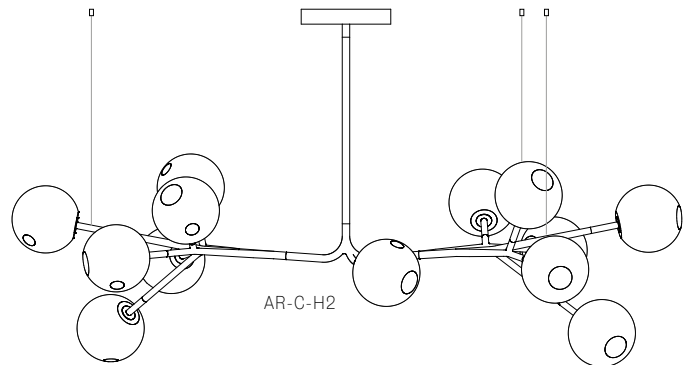
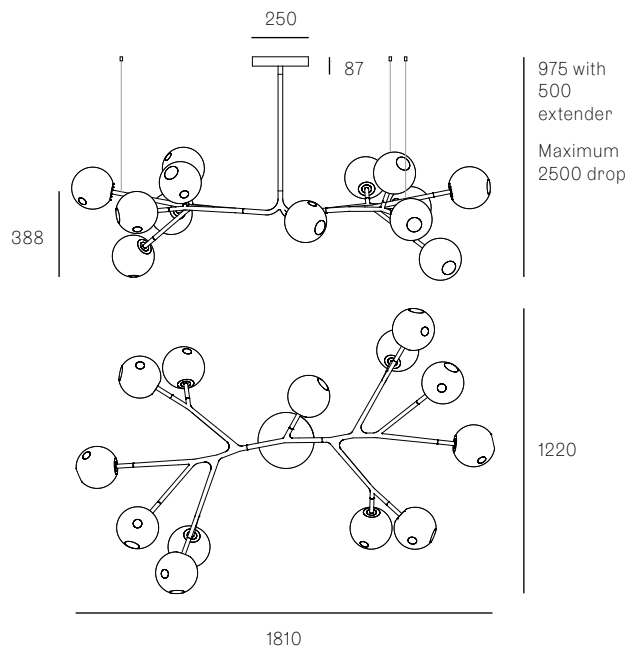


28.11A.2

All dimensions are in millimeters (mm) unless otherwise specified.

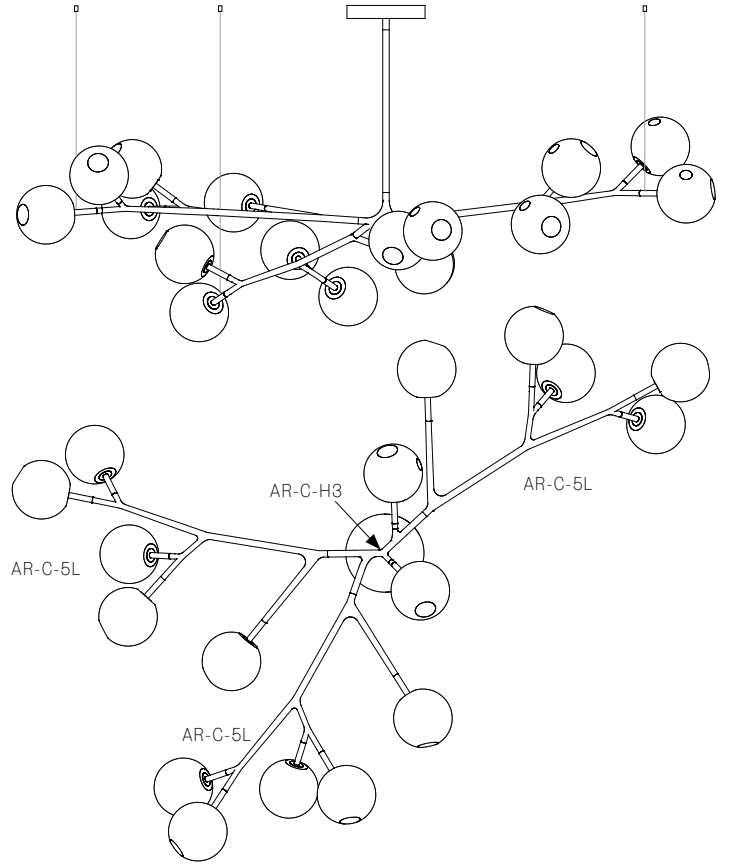
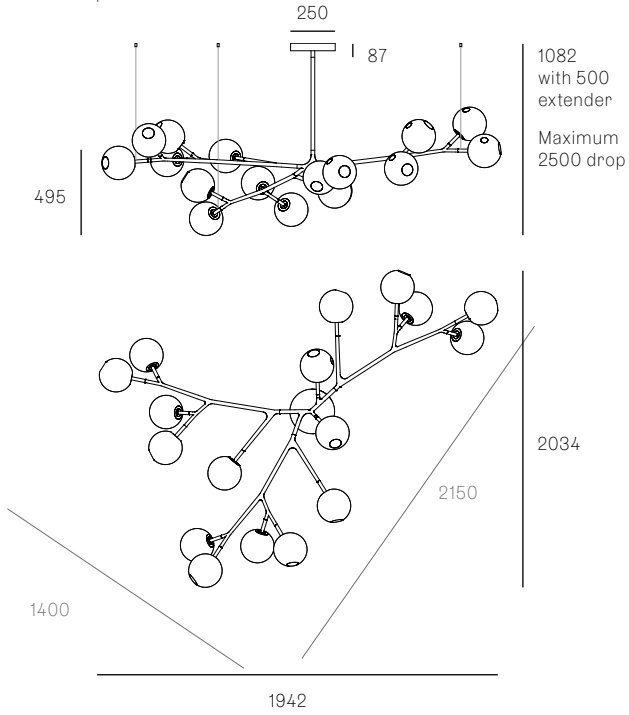


28.13A.1

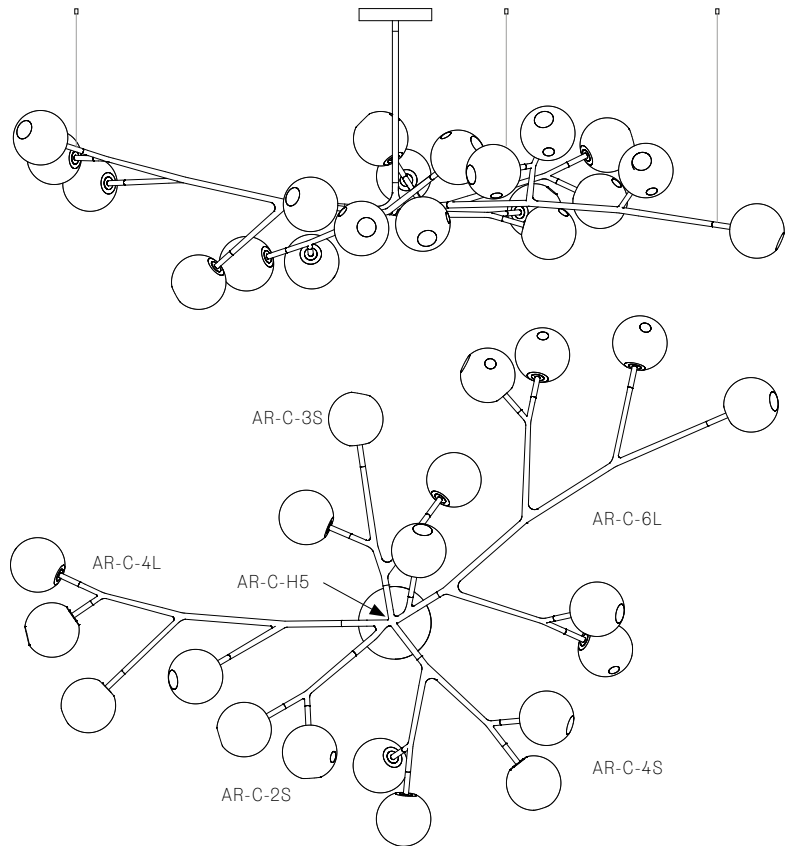
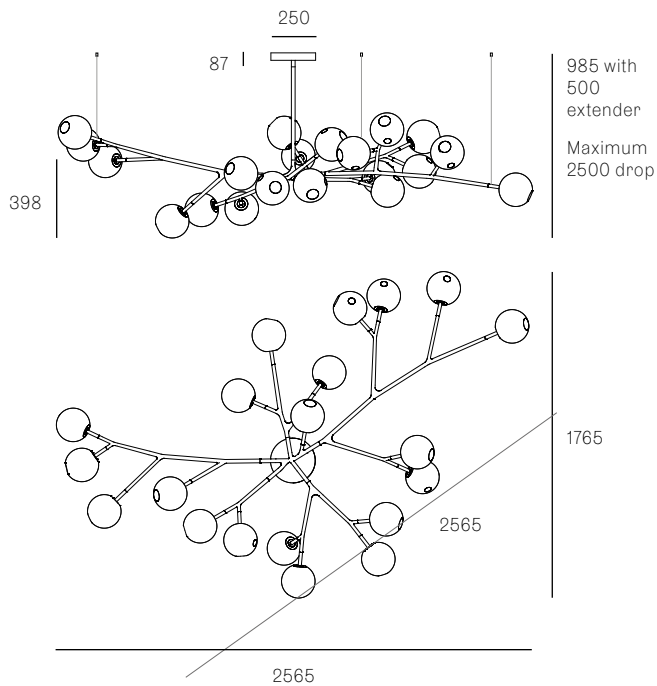


28.17A.1

All dimensions are in millimeters (mm) unless otherwise specified.



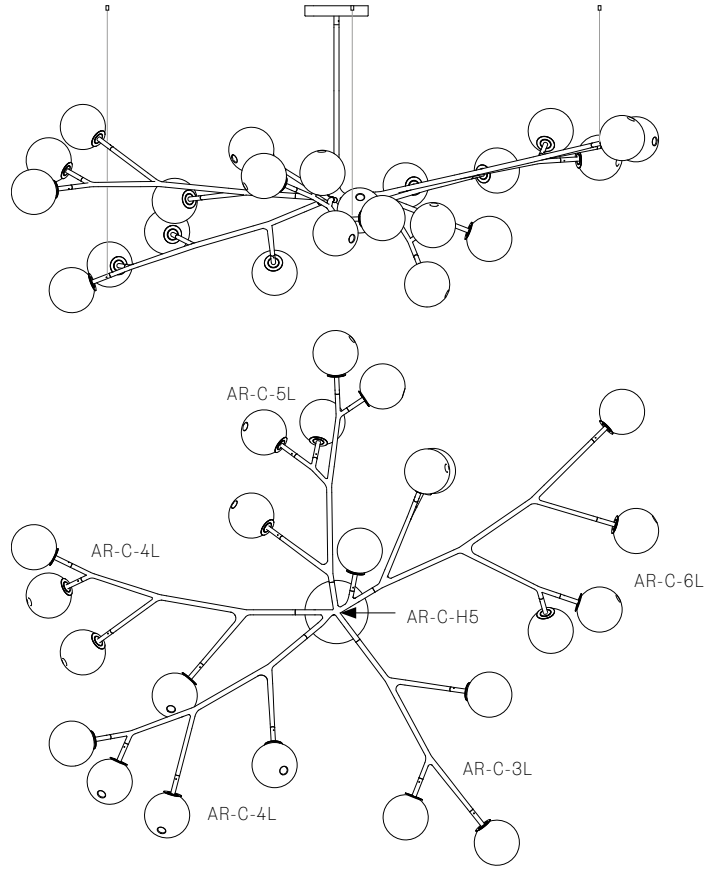
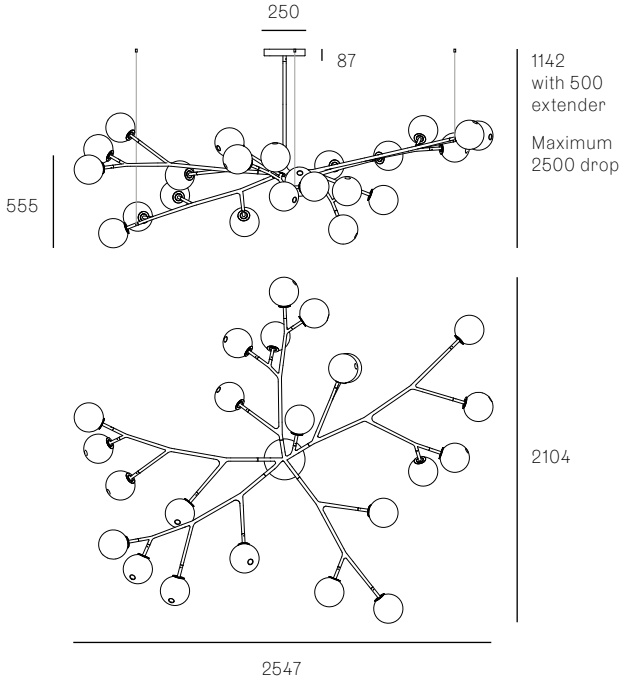
28.20A.1





**28.23A.1**

All dimensions are in millimeters (mm) unless otherwise specified.



**28.33A.1**

