

ROOM

WWW.ROOMONLINE.COM

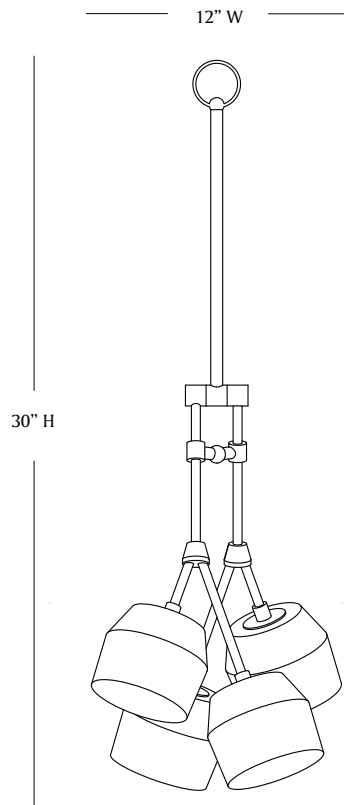


FORCHETTE PENDANT

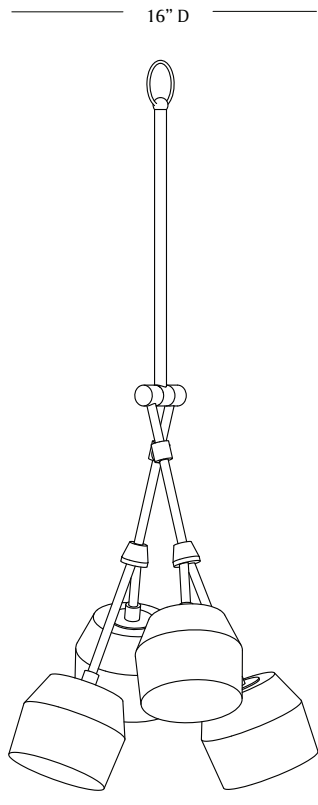
DIMENSIONS: 16"W x 16"D x 30"H.

MATERIALS: PORCELAIN SHADES, AVAILABLE IN NATURAL OR GRAPHITE COLOR OPTIONS. BRASS SHADES AVAILABLE IN AGED BRASS, AGED SILVER, BLACKENED BRASS, UN-LACQUERED BRASS, OR 2-TONE SHADES WITH BLACKENED BRASS EXTERIOR / UN-LACQUERED BRASS INTERIOR. HAND BLOWN GLASS SHADES AVAILABLE IN WHITE. BRASS BODY AVAILABLE IN AGED BRASS, AGED SILVER, BLACKENED BRASS OR UN-LACQUERED BRASS.

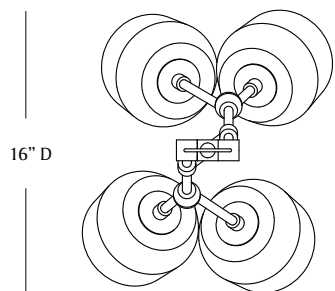
ITEM NO. LI310



FRONT



SIDE



TOP

FORCHETTE PENDANT

The Forchette Pendant is at once organic and urbane. Composed of four lithe brass arms which bloom with hand cast porcelain or solid brass shades, the Forchette Pendant is available in graphite or natural porcelain as well as five finishes of brass, and was inspired by a collaboration with ceramicist Andrew Molleur, as well as the clustered, asymmetrical arrangements of barnacles in nature.

LEAD TIME:

Approx 8-10 weeks

LAMPING:

4x Materia G35 120V dimmable LED bulbs

DIMENSIONS:

Pendant: 16"d x 12"w x 30"h

36" brass drop chain included (oah 66")

Canopy: 5"dia x .5"h

FINISHES:

Porcelain Shades: Natural or Graphite

Brass Shades: Aged Brass, Aged Silver, Blackened Brass, Un-Lacquered Brass, Blackened Brass ext. / Un-Lacquered Brass int.

Brass Body: Aged Brass, Aged Silver, Blackened Brass, Un-Lacquered Brass

UL LISTED