

# ROOM

WWW.ROOMONLINE.COM



## ANVERS PENDANT

LARGE: 21.5"W x 2"H. MEDIUM: 13"W x 2"H. SMALL: 7.7"W x 2"H. OAH TO ORDER

BRONZE OR SATIN BRASS WITH HONED ALABASTER

ITEM NO. LI396

## ANVERS LARGE PENDANT

With its refined silhouette, Anvers collection creates a maximum impact through its exquisite disc of natural alabaster stone encased within solid brass, creating a pure and elegant piece.

### FINISH

Pendant

all satin brass  
CTO-01-029-0201

all bronze  
CTO-01-029-0202

### BULBS

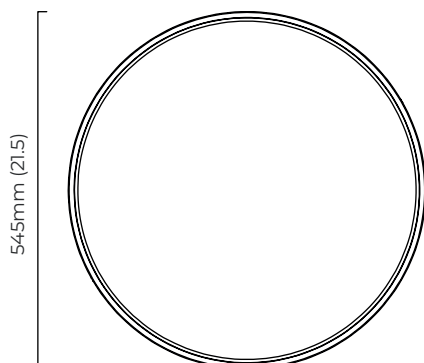
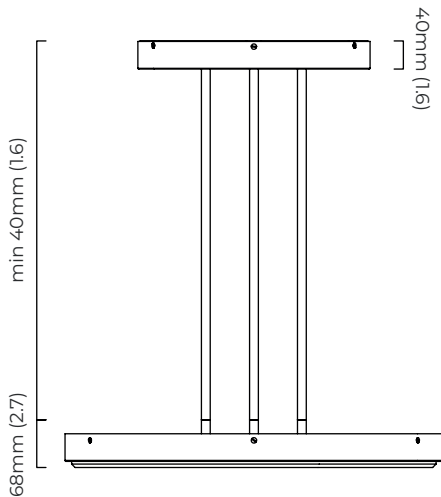
integrated LED - trailing edge dimmable - 24w - 3000k

Note - LED driver inside ceiling / wall rose.

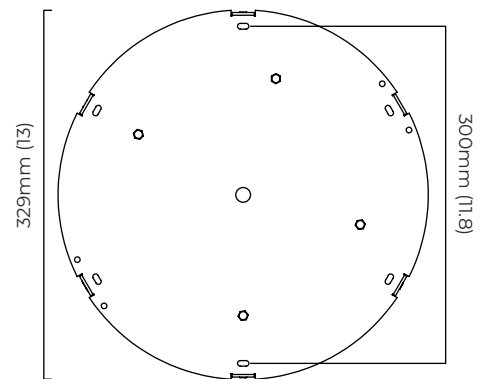
### WEIGHT

23kg (51lbs) - Total

### CERTIFICATION



mounting plate dimensions



	Input Voltage	As Standard	On Request
Phase Cut (rotary dimmer)	230	✓	
0/1-10V230	230		✓
DALi	230		✓
Phase Cut (rotary dimmer)	120	✓	
0/1-10V120	120		✓
DALi	120	x	x

## ANVERS MEDIUM PENDANT

With its refined silhouette, Anvers collection creates a maximum impact through its exquisite disc of natural alabaster stone encased within solid brass, creating a pure and elegant piece.

### FINISH

Pendant

all satin brass  
CTO-01-029-0101

all bronze  
CTO-01-029-0102

### BULBS

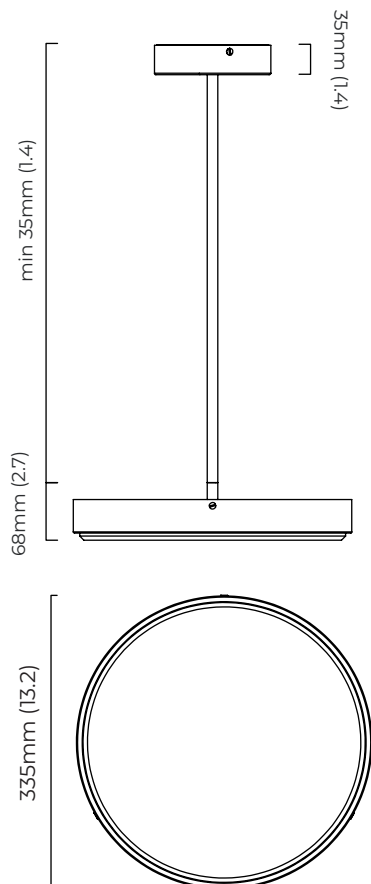
integrated LED - trailing edge dimmable - 17w - 3000k

Note - LED driver inside ceiling / wall rose.

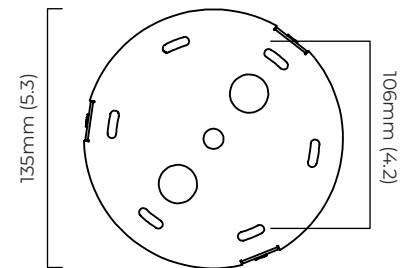
### WEIGHT

9kg (20lbs) - Total

### CERTIFICATION



mounting plate dimensions



	Input Voltage	As Standard	On Request
Phase Cut (rotary dimmer)	230	✓	
0/1-10V230	230		✓
DALi	230		✓
Phase Cut (rotary dimmer)	120	✓	
0/1-10V120	120		✓
DALi	120	x	x

## ANVERS SMALL PENDANT

With its refined silhouette, Anvers collection creates a maximum impact through its exquisite disc of natural alabaster stone encased within solid brass, creating a pure and elegant piece.

### FINISH

Pendant

all satin brass  
CTO-01-029-0001

all bronze  
CTO-01-029-0002

### BULBS

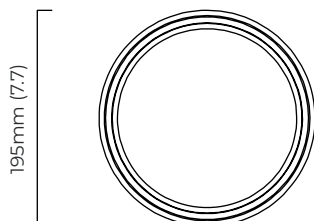
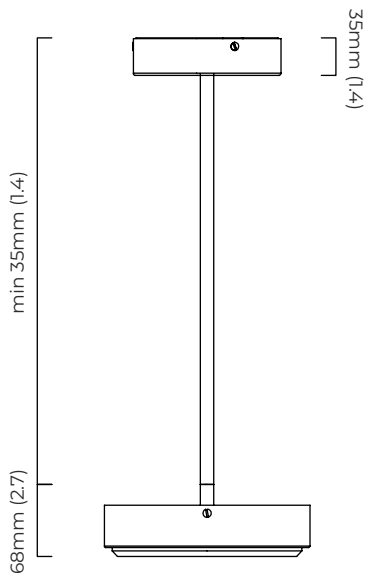
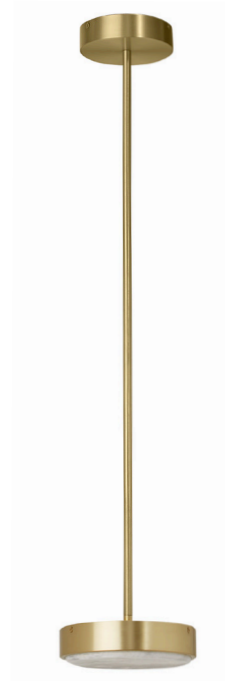
integrated LED - trailing edge dimmable - 10.5w - 3000k

Note - LED driver inside ceiling / wall rose.

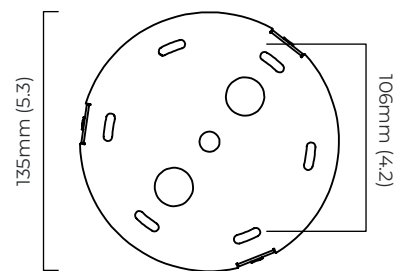
### WEIGHT

3kg (6.6lbs)

### CERTIFICATION



mounting plate dimensions



	Input Voltage	As Standard	On Request
Phase Cut (rotary dimmer)	230	✓	
0/1-10V230	230		✓
DALi	230		✓
Phase Cut (rotary dimmer)	120	✓	
0/1-10V120	120		✓
DALi	120	*	*