

ROOM

WWW.ROOMONLINE.COM



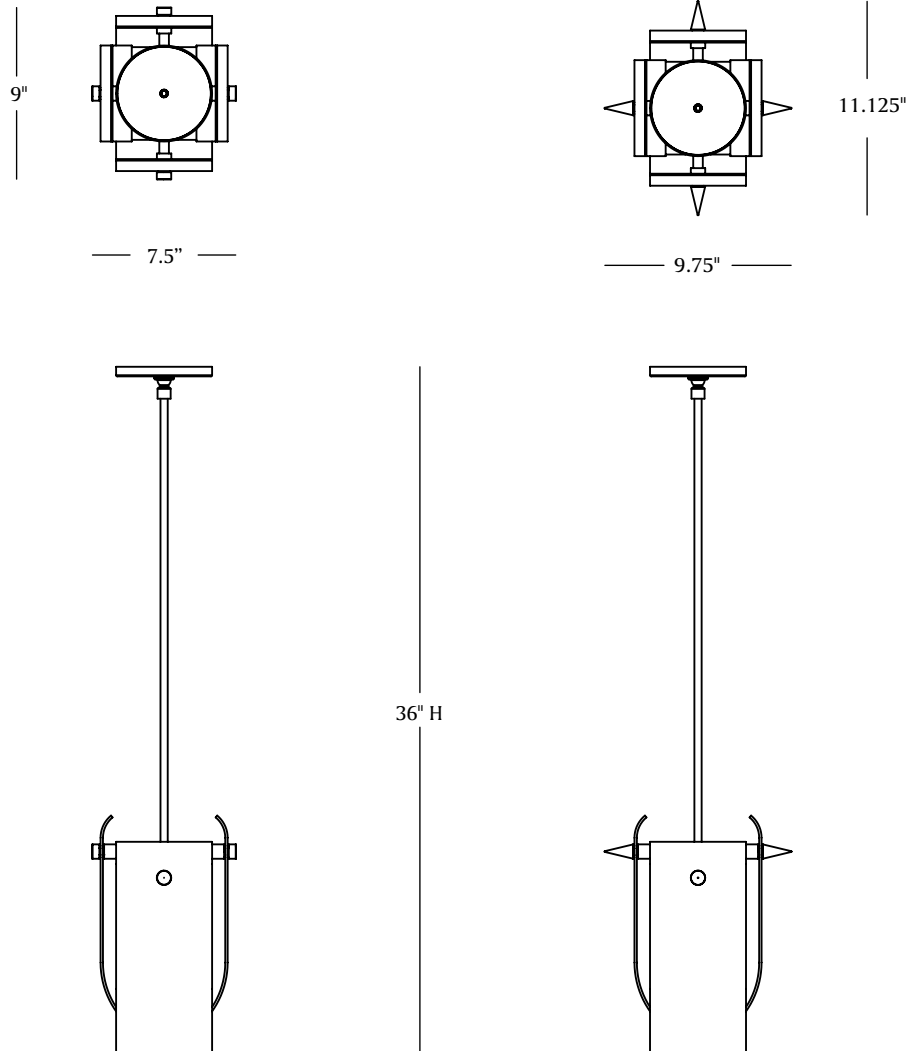
PANES PENDANT

9" D x 7.5" W x 36" H

PORCELAIN, GLASS AND BRASS

ITEM NO. LI386

MATERIA



PANES PENDANT

The Panes Pendant has a refined silhouette which references many forms found in nature and quietly plays with the textural tension between matte and glazed porcelain or hand-fused iridescent glass and raw hand-finished brass. Four Leaves wrap elegantly around a central lamp, reflecting light off of the glazed interior, creating a unique ambient light.

LEAD TIME:

Approx 8-10 weeks

LAMPING:

3x T10 E26 LED 4W dimmable
Frosted bulb (Not Included)

DIMENSIONS:

Pendant: 7.5"w x 11"h x 9"d
Canopy: 5"DIA x .5" Brass
Brass arm: 24" L

FINISHES:

Porcelain: natural

Hand-fused glass: white iridescent, charcoal iridescent

Aged brass, aged silver, blackened brass, un-lacquered brass

UL LISTED