

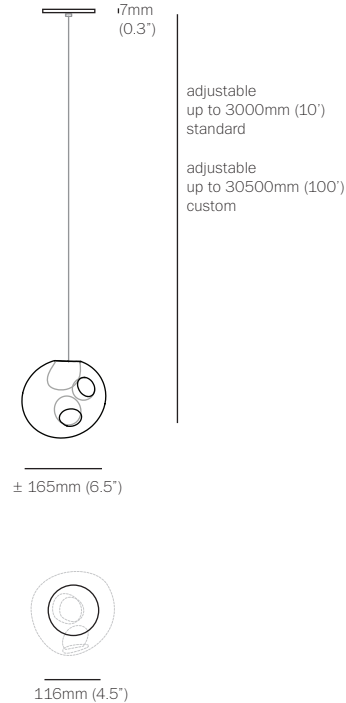
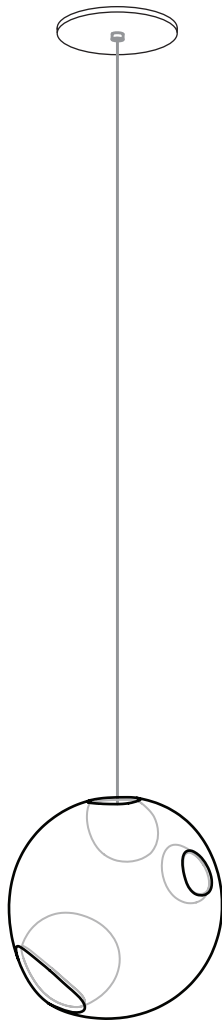
ROOM

WWW.ROOMONLINE.COM



BOCCI 28 SERIES CHANDELIERS

AVAILABLE IN TWO STYLES: CLUSTERED OR TIERED PENDANTS WITH CLEAR AND VARIOUS COLOR GLOBES
MADE OF MOUTH BLOWN GLASS WITH BRAIDED METAL CABLE (or flexible copper wire on select
styles), WHITE AND BRUSHED NICKEL CANOPIES
HEIGHT ADJUSTABLE UP TO 10' (STANDARD) AND 120' (CUSTOM)
ITEM NO. L119 (CLUSTERED); L135 (TIERED)



- PENDANTS: one
- CANOPY: shallow canopy 116mm (4.5") diameter
- LAMPING: 20w xenon
- LENGTH OF COAX: 3000mm (10') standard / 30550mm (100') maximum
- INSTALLATION: strain relief (pendant light site adjustable)
- MATERIALS: blown glass, braided metal coaxial cable, electrical components, brushed nickel canopy
- WEIGHT: approximately 1.3kg (3lb)
- TRANSFORMERS: direct mounted (fixture hooks directly into a junction box)

DESCRIPTION

The shallow canopy in this 28 variant refers to the thin canopy size. The shallow canopy is 116mm (4.5") in diameter and 7mm (0.3") deep. It is designed to cover a conventional North American junction box, which houses the transformer.

28 is an exploration of fabrication process which is part of Arbel's quest for specificity in manufacturing. Instead of designing form itself, here the intent was to design a system that produces form. Arbel developed a method that has loose parameters built into it which produce a different shape in every iteration of the fabrication procedure. Thus, every 28 made is formally different from any other 28 in existence.

APPLICATIONS

The 28.1 is recommended for applications where a single or small grouping of clusters are hung in a room, or many single chandeliers hung throughout.

Popular residential and commercial applications include clusters over tables in dining rooms and restaurants, accessory lighting in living rooms and baths, linear configurations over bars and kitchen islands, as well as single pendants as points of interest.

NOTES

+ Purchase replacement lamps online at www.bocci.ca/lamps

SHALLOW CANOPY

28.1

Design by Omer Arbel
PRODUCT SPECIFICATION

ROOM