

ROOM

WWW.ROOMONLINE.COM



NIMBUS WALL SCONCE

HANDMADE BRONZE OR SATIN BRASS

10" W X 4" D X 13" H

TAKES 1 X G9 MAINS HALOGEN BULB, 25 W.

ITEM NO. LI211

NIMBUS WALL

FINISH

antique bronze with handmade fritted glass
bronze with handmade fritted glass
satin brass with handmade fritted glass

DIMENSIONS (body of fixture)

250 x 100 x 320 mm (w x d x h)

WEIGHT

3kg (6.6lbs)

ILLUMINATION

220-240v - 1 x G9 - 2.3w - 2700k - LED ONLY

110-130v - 1 x G9 - 2.3w - 2700k - LED ONLY

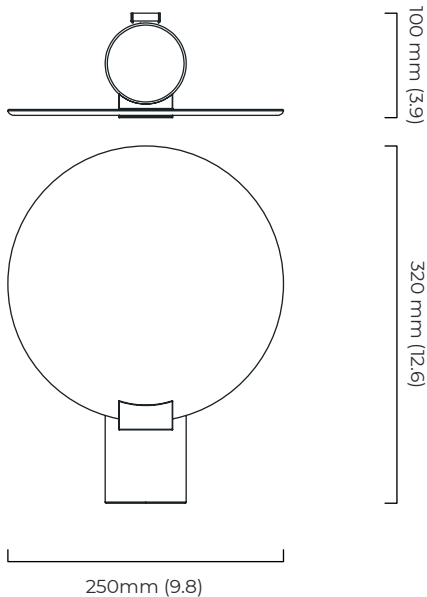
DIMMING

dimnable bulb required
trailing edge dimmable / phase cut (rotary dimmer) - standard
DALI option available (220-240v only)

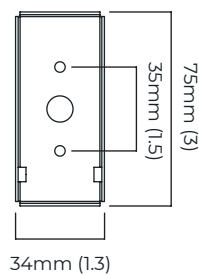
WALL ROSE / PLATE

rectangular wall box - 40 x 15 x 80 mm (w x d x h)

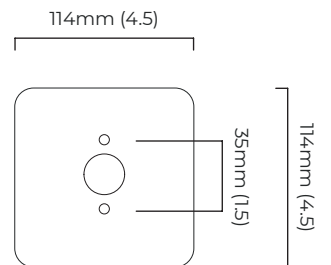
CERTIFICATION



mounting plate dimensions



North America junction box cover



*Diagrams are not to scale.

NIMBUS WALL - DALI-A

FINISH

antique bronze with handmade fritted glass
bronze with handmade fritted glass
satin brass with handmade fritted glass

DIMENSIONS (body of fixture)

250 x 100 x 320 mm (w x d x h)

WEIGHT

3kg (6.6lbs)

ILLUMINATION

220-240v - 1 x G9 - 2.3w - 2700k - LED ONLY
110-130v - 1 x G9 - 2.3w - 2700k - LED ONLY
DALI converter to be installed in the cavity

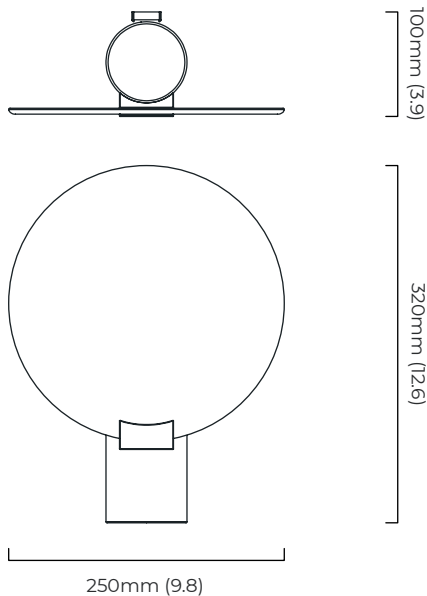
DIMMING

dimnable bulb required
DALI compatible

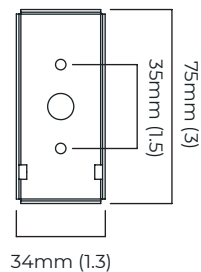
WALL ROSE / PLATE

rectangular wall box - 40 x 15 x 80 mm (w x d x h)

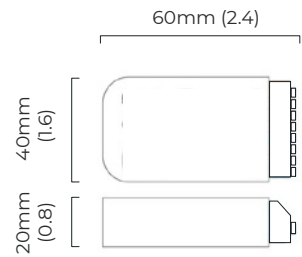
CERTIFICATION



mounting plate dimensions



DALI converter dimensions



*Diagrams are not to scale.

NIMBUS WALL - DALI-B

FINISH

antique bronze with handmade fritted glass
bronze with handmade fritted glass
satin brass with handmade fritted glass

DIMENSIONS (body of fixture)

250 x 110 x 320 mm (w x d x h)

WEIGHT

3kg (6.6lbs)

ILLUMINATION

220-240v - 1 x G9 - 2.3w - 2700k - LED ONLY
110-130v - 1 x G9 - 2.3w - 2700k - LED ONLY
DALI converter to be installed in the wall rose

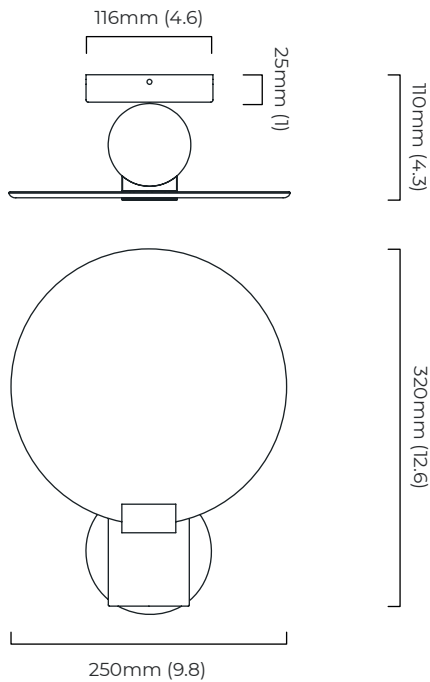
DIMMING

dimnable bulb required
DALI compatible

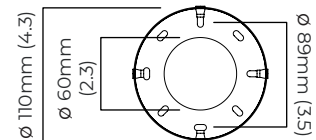
WALL ROSE / PLATE

rectangular wall rose - \varnothing 116 x 25 mm (dia x h)

CERTIFICATION



mounting plate dimensions



*Diagrams are not to scale.

NIMBUS WALL

NIMBUS WALL

SKU NUMBER	FINISH DESCRIPTION	VOLTAGE
NIMWAOABFG-240	antique bronze with handmade fritted glass	220 - 240V
NIMWAOBZFG-240	bronze with handmade fritted glass	220 - 240V
NIMWAOBFG-240	satn brass with handmade fritted glass	220 - 240V
NIMWAOABFG-110	antique bronze with handmade fritted glass	110 - 130V
NIMWAOBZFG-110	bronze with handmade fritted glass	110 - 130V
NIMWAOBFG-110	satn brass with handmade fritted glass	110 - 130V

SKU NUMBER	FINISH DESCRIPTION	TYPE OF DALI	VOLTAGE
NIMWAOABFG-DALIA-240	antique bronze with handmade fritted glass	DALI A included - For lights that do not require aesthetic alterations. Dali can be fitted inside the ceiling/wall cavity	220 - 240V
NIMWAOBZFG-DALIA-240	bronze with handmade fritted glass	DALI A included - For lights that do not require aesthetic alterations. Dali can be fitted inside the ceiling/wall cavity	220 - 240V
NIMWAOBFG-DALIA-240	satn brass with handmade fritted glass	DALI A included - For lights that do not require aesthetic alterations. Dali can be fitted inside the ceiling/wall cavity	220 - 240V

NIMBUS WALL - DALI-B

SKU NUMBER	FINISH DESCRIPTION	TYPE OF DALI	VOLTAGE
NIMCHLABFG-DALIB-240	antique bronze with handmade fritted glass	DALI B included - The light will feature a deeper ceiling/wall rose. For use when there is no space in the existing ceiling/wall cavity	220 - 240V
NIMCHLBZFG-DALIB-240	bronze with handmade fritted glass	DALI B included - The light will feature a deeper ceiling/wall rose. For use when there is no space in the existing ceiling/wall cavity	220 - 240V
NIMWAOBFG-DALIB-240	satn brass with handmade fritted glass	DALI B included - The light will feature a deeper ceiling/wall rose. For use when there is no space in the existing ceiling/wall cavity	220 - 240V