

ROOM

WWW.ROOMONLINE.COM



NIMBUS ROUND PENDANT - MEDIUM

HANDMADE FRITTED GLASS AND SATIN BRASS, ANTIQUE BRONZE, OR BRONZE

35.4W" X 35.4D" X 22"H

TAKES 4 E12 BASE 60W BULBS

ITEM NO. LI211

NIMBUS CHANDELIER ROUND LARGE

FINISH

antique bronze with handmade fritted glass
bronze with handmade fritted glass
satin brass with handmade fritted glass

DIMENSIONS (body of fixture)

∅ 1200 x 600 mm (dia x h)

WEIGHT

50kg (110.2lbs)

please ensure ceiling structure is strong enough to support the weight of the light

OVERALL DROP

minimum 700 mm

supplied with 1000mm drop rod (25.4mm dia) as standard
(adjustable on site)

ILLUMINATION

220-240v - 6 x E27 - 60w max (or 8w LED 2700k)

110-130v - 6 x E26 - 60w max (or 8w LED 2700k)

DIMMING

dimmable bulb required

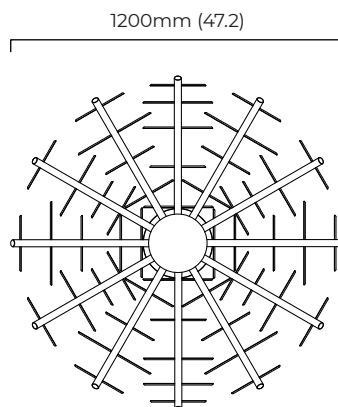
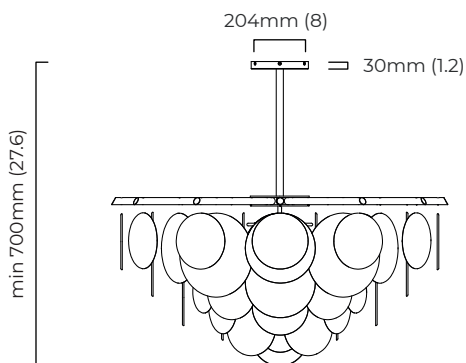
trailing edge dimmable / phase cut (rotary dimmer) - standard

DALI option available (220-240v only)

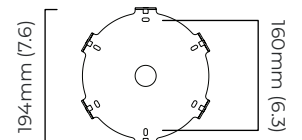
CEILING ROSE / PLATE

round ceiling rose - ∅ 204 x 30 mm (dia x h)

CERTIFICATION



mounting plate dimensions



*Diagrams are not to scale.

NIMBUS CHANDELIER ROUND LARGE - DALI-A

FINISH

antique bronze with handmade fritted glass
 bronze with handmade fritted glass
 satin brass with handmade fritted glass

DIMENSIONS (body of fixture)

ø 1200 x 600 mm (dia x h)

WEIGHT

50kg (110.2lbs)

please ensure ceiling structure is strong enough to support the weight of the light

OVERALL DROP

minimum 700 mm

supplied with 1000mm drop rod (25.4mm dia) as standard (adjustable on site)

ILLUMINATION

220-240v - 6 x E27 - 60w max (or 8w LED 2700k)

DALI converter to be installed in the ceiling rose

DIMMING

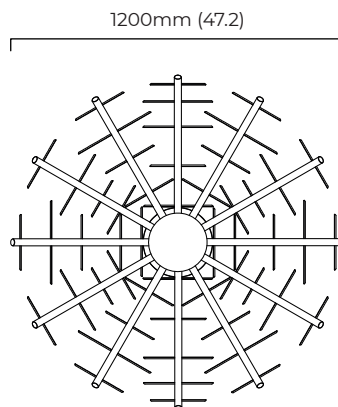
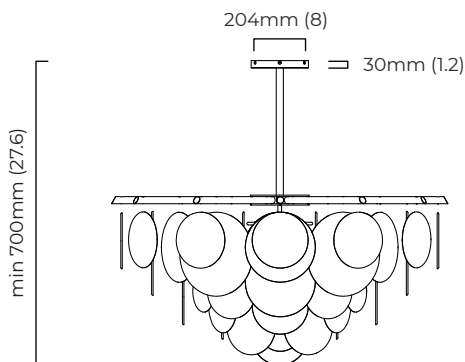
dimmable bulb required

DALI compatible

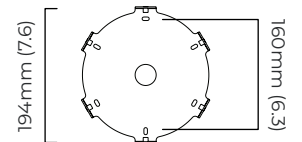
CEILING ROSE / PLATE

round ceiling rose - ø 204 x 30 mm (dia x h)

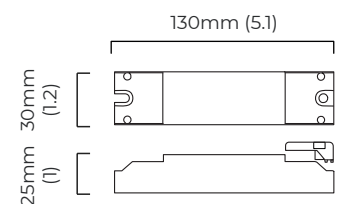
CERTIFICATION



mounting plate dimensions



DALI converter dimensions



*Diagrams are not to scale.

NIMBUS CHANDELIER ROUND LARGE

NIMBUS CHANDELIER ROUND LARGE

SKU NUMBER	FINISH DESCRIPTION	VOLTAGE
NIMCHRLABFG-240	antique bronze with handmade fritted glass	220 - 240V
NIMCHRLBZFG-240	bronze with handmade fritted glass	220 - 240V
NIMCHRLSBFG-240	satın brass with handmade fritted glass	220 - 240V
NIMCHRLABFG-110	antique bronze with handmade fritted glass	110 - 130V
NIMCHRLBZFG-110	bronze with handmade fritted glass	110 - 130V
NIMCHRLSBFG-110	satın brass with handmade fritted glass	110 - 130V

NIMBUS CHANDELIER ROUND LARGE - DALI-A

SKU NUMBER	FINISH DESCRIPTION	TYPE OF DALI	VOLTAGE
NIMCHRLABFG-DALIA-240	antique bronze with handmade fritted glass	DALI A included - For lights that do not require aesthetic alterations. Dali can be fitted in the existent ceiling/wall rose	220 - 240V
NIMCHRLBZFG-DALIA-240	bronze with handmade fritted glass	DALI A included - For lights that do not require aesthetic alterations. Dali can be fitted in the existent ceiling/wall rose	220 - 240V
NIMCHRLSBFG-DALIA-240	satın brass with handmade fritted glass	DALI A included - For lights that do not require aesthetic alterations. Dali can be fitted in the existent ceiling/wall rose	220 - 240V

NIMBUS CHANDELIER ROUND MEDIUM

FINISH

antique bronze with handmade fritted glass
bronze with handmade fritted glass
satin brass with handmade fritted glass

DIMENSIONS (body of fixture)

ø 900 x 560 mm (dia x h)

WEIGHT

38kg (83.8lbs)

please ensure ceiling structure is strong enough to support the weight of the light

OVERALL DROP

minimum 660 mm

supplied with 1000mm drop rod (25.4mm dia) as standard (adjustable on site)

ILLUMINATION

220-240v - 4 x E14 - 25w max (or 4.5w LED 2700k)

110-130v - 4 x E12 - 25w max (or 4.5w LED 2700k)

DIMMING

dimnable bulb required

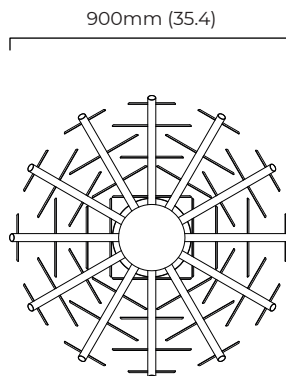
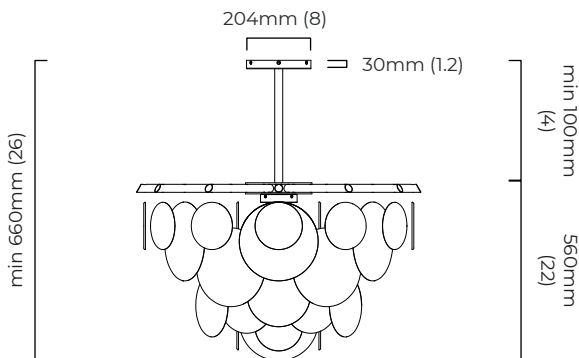
trailing edge dimmable / phase cut (rotary dimmer) - standard

DALI option available (220-240v only)

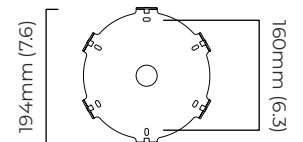
CEILING ROSE / PLATE

round ceiling rose - ø 204 x 30 mm (dia x h)

CERTIFICATION



mounting plate dimensions



*Diagrams are not to scale.

NIMBUS CHANDELIER ROUND MEDIUM - DALI-A

FINISH

antique bronze with handmade fritted glass
bronze with handmade fritted glass
satin brass with handmade fritted glass

DIMENSIONS (body of fixture)

ø 900 x 560 mm (dia x h)

WEIGHT

38kg (83.8lbs)

please ensure ceiling structure is strong enough to support the weight of the light

OVERALL DROP

minimum 660 mm

supplied with 1000mm drop rod (25.4mm dia) as standard (adjustable on site)

ILLUMINATION

220-240v - 4 x E14 - 25w max (or 4.5w LED 2700k)

DALI converter to be installed in the ceiling rose

DIMMING

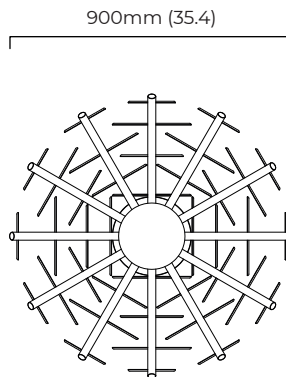
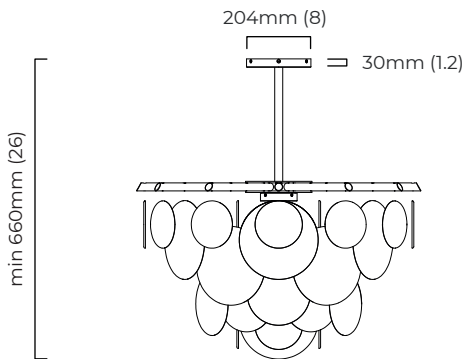
dimnable bulb required

DALI compatible

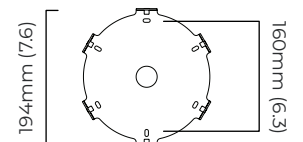
CEILING ROSE / PLATE

round ceiling rose - ø 204 x 30 mm (dia x h)

CERTIFICATION



mounting plate dimensions



*Diagrams are not to scale.

NIMBUS CHANDELIER ROUND MEDIUM

NIMBUS CHANDELIER ROUND MEDIUM

SKU NUMBER	FINISH DESCRIPTION	VOLTAGE
NIMCHRMABFG-240	antique bronze with handmade fritted glass	220 - 240V
NIMCHRMBZFG-240	bronze with handmade fritted glass	220 - 240V
NIMCHRMSBFG-240	satın brass with handmade fritted glass	220 - 240V
NIMCHRMABFG-110	antique bronze with handmade fritted glass	110 - 130V
NIMCHRMBZFG-110	bronze with handmade fritted glass	110 - 130V
NIMCHRMSBFG-110	satın brass with handmade fritted glass	110 - 130V

NIMBUS CHANDELIER ROUND MEDIUM - DALI-A

SKU NUMBER	FINISH DESCRIPTION	TYPE OF DALI	VOLTAGE
NIMCHRMABFG-DALIA-240	antique bronze with handmade fritted glass	DALI A included - For lights that do not require aesthetic alterations. Dali can be fitted in the existent ceiling/wall rose	220 - 240V
NIMCHRMBZFG-DALIA-240	bronze with handmade fritted glass	DALI A included - For lights that do not require aesthetic alterations. Dali can be fitted in the existent ceiling/wall rose	220 - 240V
NIMCHRMSBFG-DALIA-240	satın brass with handmade fritted glass	DALI A included - For lights that do not require aesthetic alterations. Dali can be fitted in the existent ceiling/wall rose	220 - 240V