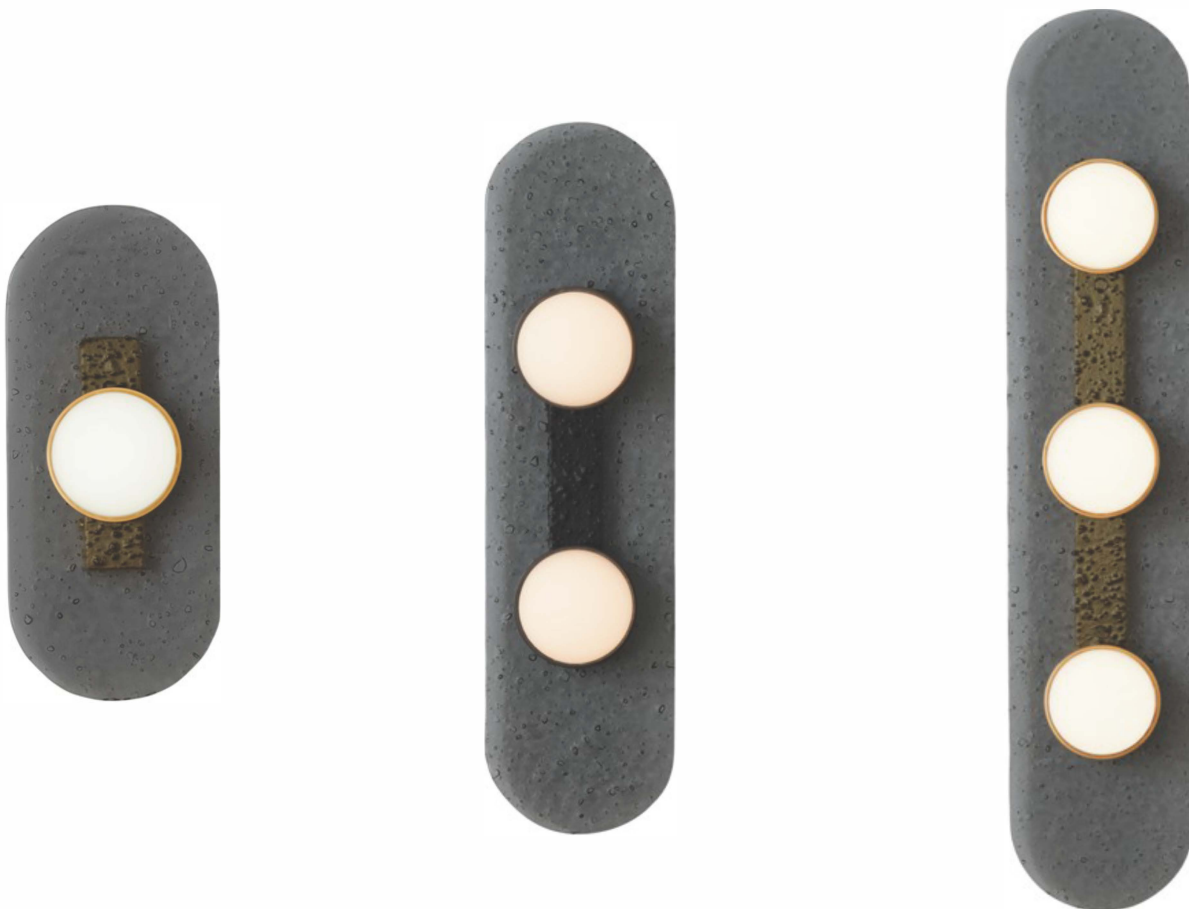


ROOM

WWW.ROOMONLINE.COM



MODULO WALL SCONCE

ANTIQUE BRONZE, BRONZE, OR SATIN BRASS WITH SMOKED KILN CAST GLASS AND OPAL GLASS SHADES

SINGLE: 11"H X 4.7"W X 3"D. TWIN: 17.3"H X 4.7"W X 3"D. TRIPLE: 23.6"H X 4.7"W X 3"D

LAMPING: INTEGRATED LED, 4.5W (SINGLE), 9W (TWIN), 13.5W (TRIPLE) LED 2700K, TRAILING EDGE DIMMABLE

ITEM NO. LI427

MODULO WALL SINGLE

FINISH

antique bronze with smoked kiln cast glass and opal glass
 bronze with smoked kiln cast glass and opal glass
 satin brass with smoked kiln cast glass and opal glass

DIMENSIONS (body of fixture)

120 x 80 x 280 mm (w x d x h)

WEIGHT

1kg (2.2lbs)

ILLUMINATION

220-240v - integrated mains LED - 4.5w - 2700k

110-130v - integrated mains LED - 4.5w - 2700k

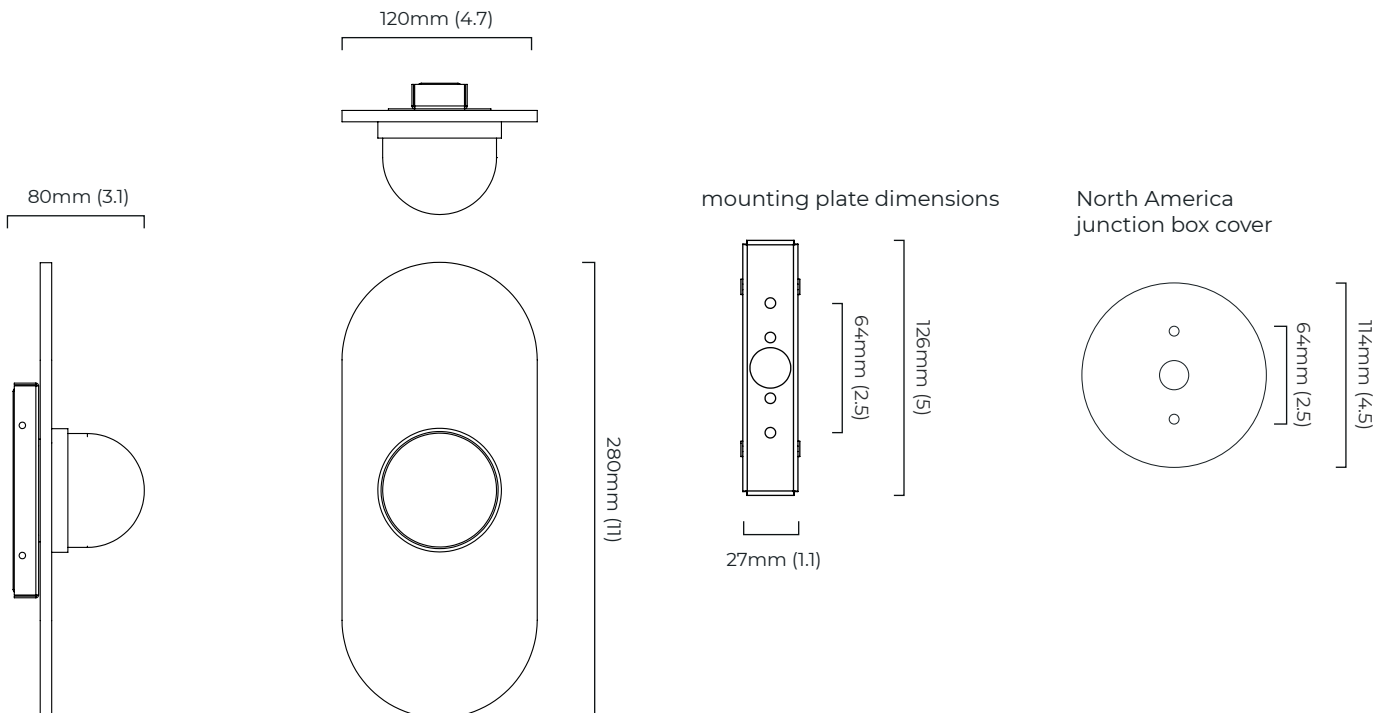
DIMMING

trailing edge dimmable / phase cut (rotary dimmer) - standard
 DALI option available (220-240v only)

WALL ROSE / PLATE

rectangular wall box - 34 x 132 x 15 mm (w x d x h)

CERTIFICATION



*Diagrams are not to scale.

MODULO WALL SINGLE - DALI-A

FINISH

antique bronze with smoked kiln cast glass and opal glass
 bronze with smoked kiln cast glass and opal glass
 satin brass with smoked kiln cast glass and opal glass

DIMENSIONS (body of fixture)

120 x 80 x 280 mm (w x d x h)

WEIGHT

1kg (2.2lbs)

ILLUMINATION

220-240v - integrated mains LED - 4.5w - 2700k
 DALI converter to be installed in the wall cavity

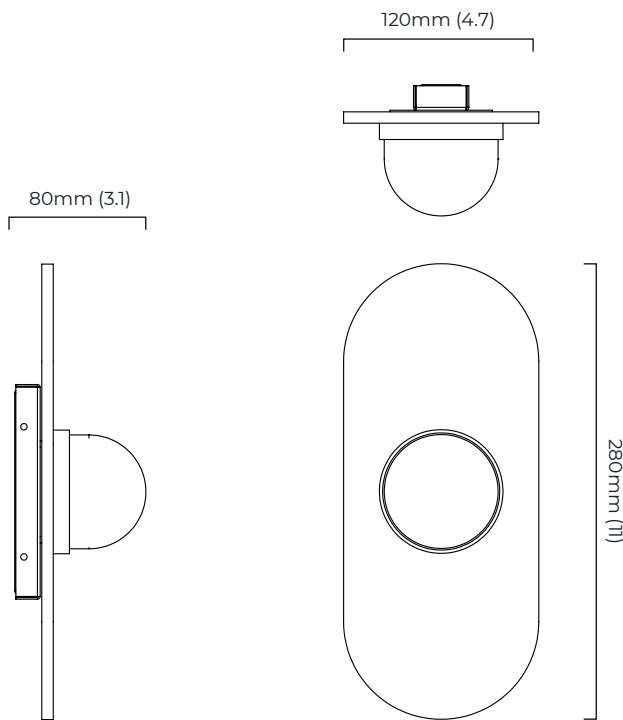
DIMMING

DALI compatible

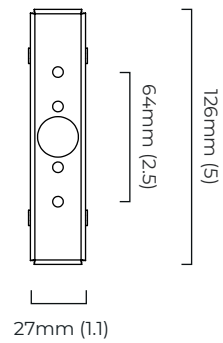
WALL ROSE / PLATE

rectangular wall box - 34 x 132 x 15 mm (w x d x h)

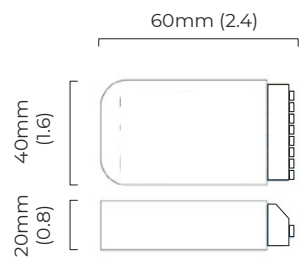
CERTIFICATION



mounting plate dimensions



DALI converter dimensions



*Diagrams are not to scale.

MODULO WALL SINGLE

MODULO WALL SINGLE

SKU NUMBER	FINISH DESCRIPTION	VOLTAGE
MODWA1ABSKMO-240	antique bronze with smoked kiln cast glass and opal glass	220 - 240V
MODWA1BZSKMO-240	bronze with smoked kiln cast glass and opal glass	220 - 240V
MODWA1BSKMO-240	satın brass with smoked kiln cast glass and opal glass	220 - 240V
MODWA1ABSKMO-110	antique bronze with smoked kiln cast glass and opal glass	110 - 130V
MODWA1BZSKMO-110	bronze with smoked kiln cast glass and opal glass	110 - 130V
MODWA1BSKMO-110	satın brass with smoked kiln cast glass and opal glass	110 - 130V

MODULO WALL SINGLE - DALI-A

SKU NUMBER	FINISH DESCRIPTION	TYPE OF DALI	VOLTAGE
MODWA1ABSKMO-DALIA-240	antique bronze with smoked kiln cast glass and opal glass	DALI A included - For lights that do not require aesthetic alterations. Dali can be fitted inside the ceiling/wall cavity	220 - 240V
MODWA1BZSKMO-DALIA-240	bronze with smoked kiln cast glass and opal glass	DALI A included - For lights that do not require aesthetic alterations. Dali can be fitted inside the ceiling/wall cavity	220 - 240V
MODWA1BSKMO-DALIA-240	satın brass with smoked kiln cast glass and opal glass	DALI A included - For lights that do not require aesthetic alterations. Dali can be fitted inside the ceiling/wall cavity	220 - 240V

MODULO WALL SINGLE IP44



The following information is a guide to help you understand what fittings can be placed in a bathroom. This is not an installation guide and reference should be made to the IEE Wiring Regulations (17th Edition) or a qualified electrician.

IP rating stands for “Ingress Protection” and is always followed by two characters. These two numbers refer to the level of protection and it is important that you choose fittings with the correct rating according to where they are to be sited within the bathroom.

When an electrical product is IP44 rated means that it is protected against small objects and water splashing from all directions. In case of lighting fixtures, they are designed for use in bathrooms and other environments where water spray is a risk factor.

The diagram above shows a bathroom split into four clear zones: 0, 1, 2 and 3.

ZONE 0	Is inside the bath or shower area itself. Any fitting used in this zone must be low voltage, (max 12v) and be rated at least IP67 which is total immersion proof.
ZONE 1	Is the area above the bath to a height of 2205 mm from the floor. In this zone a minimum rating of IP44 is required. If the fitting is 240v a 30ma residual current device (RCD) must also be used to protect the circuit in this zone.
ZONE 2	Is an area stretching 600 mm outside the perimeter of the bath and to a height of 3000 mm from the floor. In this zone IP rating of at least IP44 is required. In addition, the area around a wash basin within a 600 mm radius of any tap or water source to be considered as zone 2. In this zone IP rating of at least IP44 is required.
ZONE 3	Is anywhere outside zones 0, 1 and 2 and where no water jet is likely to be used. No IP rating is required. If there is a likelihood of water jets being used for cleaning purpose in zones 1,2 and 3 a fitting rated a minimum of IP65 must be used.

Regarding ceiling lights, when the room's height is less than 3000 mm, then Zone 2 is extended above the surface of the bath or shower base and a minimum of an IP44 light is required.

Full details can be found in the latest copy of the IEE wiring regulations.

IP44 rated wall lights are suitable for use in zones 2 and 3.

MODULO WALL TWIN

FINISH

antique bronze with smoked kiln cast glass and opal glass
bronze with smoked kiln cast glass and opal glass
satin brass with smoked kiln cast glass and opal glass

DIMENSIONS (body of fixture)

120 x 80 x 440 mm (w x d x h)

WEIGHT

2kg (4.4lbs)

ILLUMINATION

220-240v - integrated mains LED - 9w - 2700k

110-130v - integrated mains LED - 9w - 2700k

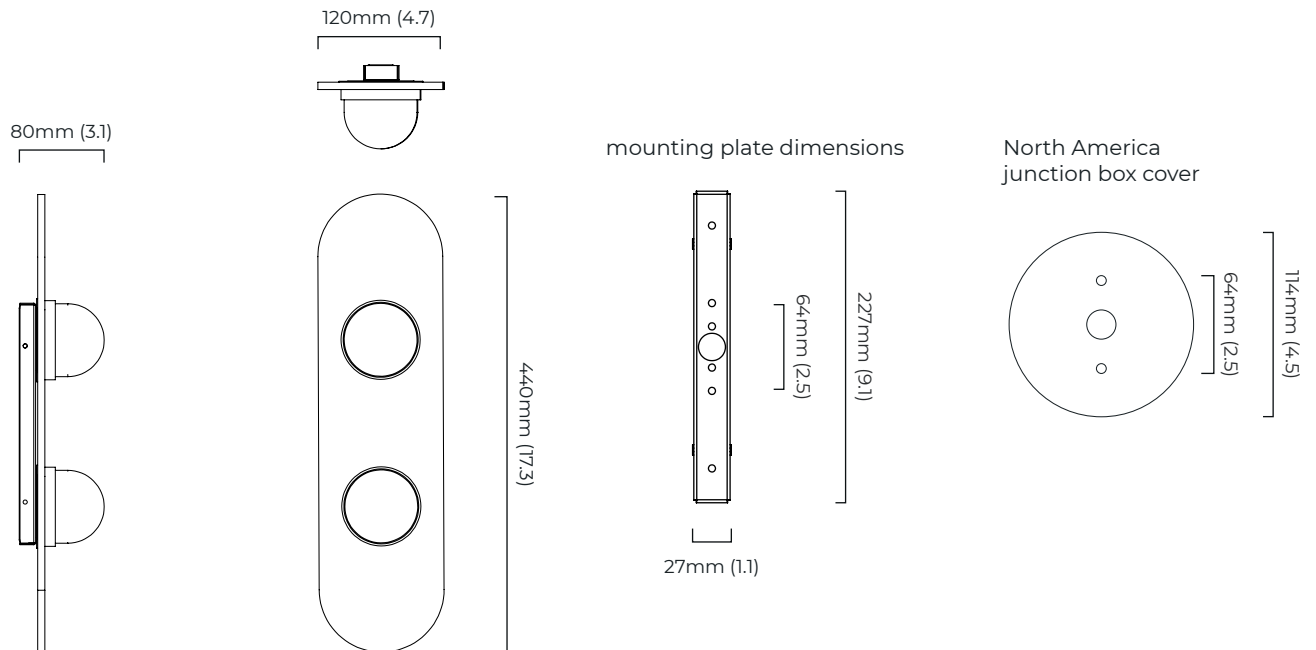
DIMMING

trailing edge dimmable / phase cut (rotary dimmer) - standard
DALI option available (220-240v only)

WALL ROSE / PLATE

rectangular wall box - 34 x 232 x 15 mm (w x d x h)

CERTIFICATION



*Diagrams are not to scale.

MODULO WALL TWIN - DALI-A

FINISH

antique bronze with smoked kiln cast glass and opal glass
bronze with smoked kiln cast glass and opal glass
satin brass with smoked kiln cast glass and opal glass

DIMENSIONS (body of fixture)

120 x 80 x 440 mm (w x d x h)

WEIGHT

2kg (4.4lbs)

ILLUMINATION

220-240v - integrated mains LED - 9w - 2700k
DALI converter to be installed in the wall cavity

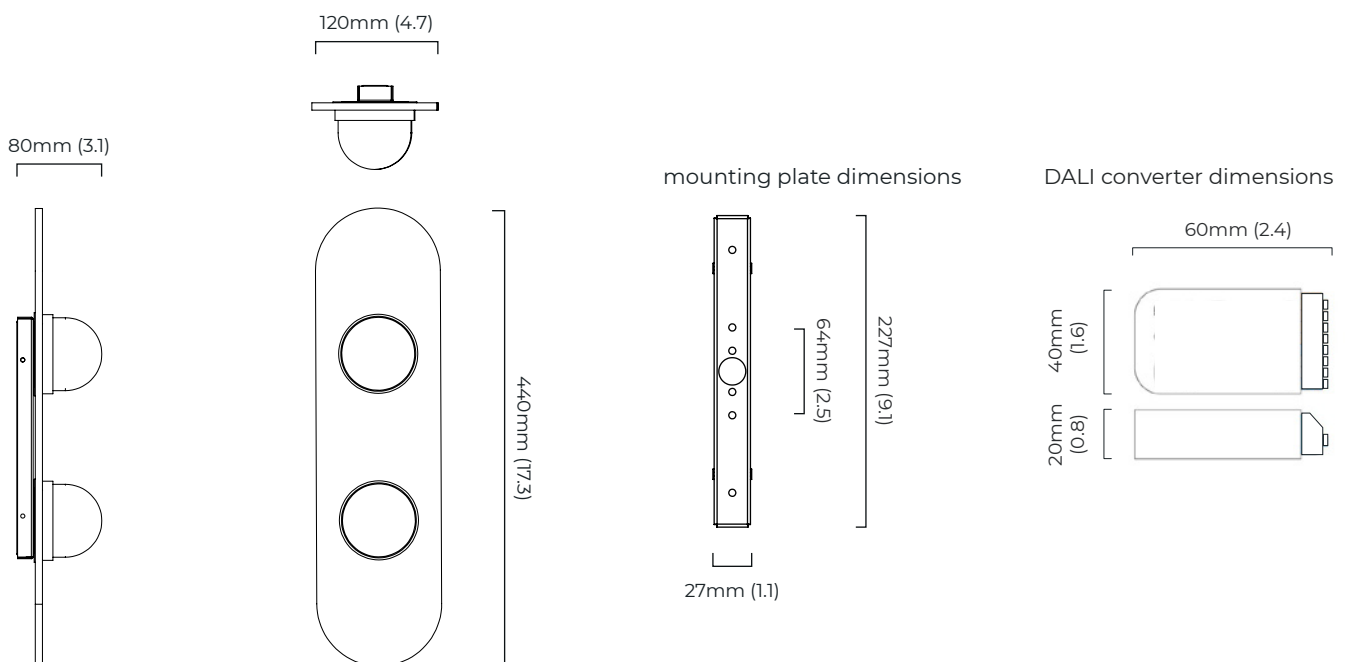
DIMMING

DALI compatible

WALL ROSE / PLATE

rectangular wall box - 34 x 232 x 15 mm (w x d x h)

CERTIFICATION



*Diagrams are not to scale.

MODULO WALL TWIN

MODULO WALL TWIN

SKU NUMBER	FINISH DESCRIPTION	VOLTAGE
MODWA2ABSKMO-240	antique bronze with smoked kiln cast glass and opal glass	220 - 240V
MODWA2BZSKMO-240	bronze with smoked kiln cast glass and opal glass	220 - 240V
MODWA2SBSKMO-240	satin brass with smoked kiln cast glass and opal glass	220 - 240V
MODWA2ABSKMO-110	antique bronze with smoked kiln cast glass and opal glass	110 - 130V
MODWA2BZSKMO-110	bronze with smoked kiln cast glass and opal glass	110 - 130V
MODWA2SBSKMO-110	satin brass with smoked kiln cast glass and opal glass	110 - 130V

MODULO WALL TWIN - DALI-A

SKU NUMBER	FINISH DESCRIPTION	TYPE OF DALI	VOLTAGE
MODWA2ABSKMO-DALIA-240	antique bronze with smoked kiln cast glass and opal glass	DALI A included - For lights that do not require aesthetic alterations. Dali can be fitted inside the ceiling/wall cavity	220 - 240V
MODWA2BZSKMO-DALIA-240	bronze with smoked kiln cast glass and opal glass	DALI A included - For lights that do not require aesthetic alterations. Dali can be fitted inside the ceiling/wall cavity	220 - 240V
MODWA2SBSKMO-DALIA-240	satin brass with smoked kiln cast glass and opal glass	DALI A included - For lights that do not require aesthetic alterations. Dali can be fitted inside the ceiling/wall cavity	220 - 240V

MODULO WALL TWIN IP44



The following information is a guide to help you understand what fittings can be placed in a bathroom. This is not an installation guide and reference should be made to the IEE Wiring Regulations (17th Edition) or a qualified electrician.

IP rating stands for “Ingress Protection” and is always followed by two characters. These two numbers refer to the level of protection and it is important that you choose fittings with the correct rating according to where they are to be sited within the bathroom.

When an electrical product is IP44 rated means that it is protected against small objects and water splashing from all directions. In case of lighting fixtures, they are designed for use in bathrooms and other environments where water spray is a risk factor.

The diagram above shows a bathroom split into four clear zones: 0, 1, 2 and 3.

ZONE 0	Is inside the bath or shower area itself. Any fitting used in this zone must be low voltage, (max 12v) and be rated at least IP67 which is total immersion proof.
ZONE 1	Is the area above the bath to a height of 2205 mm from the floor. In this zone a minimum rating of IP44 is required. If the fitting is 240v a 30ma residual current device (RCD) must also be used to protect the circuit in this zone.
ZONE 2	Is an area stretching 600 mm outside the perimeter of the bath and to a height of 3000 mm from the floor. In this zone IP rating of at least IP44 is required. In addition, the area around a wash basin within a 600 mm radius of any tap or water source to be considered as zone 2. In this zone IP rating of at least IP44 is required.
ZONE 3	Is anywhere outside zones 0, 1 and 2 and where no water jet is likely to be used. No IP rating is required. If there is a likelihood of water jets being used for cleaning purpose in zones 1,2 and 3 a fitting rated a minimum of IP65 must be used.

Regarding ceiling lights, when the room's height is less than 3000 mm, then Zone 2 is extended above the surface of the bath or shower base and a minimum of an IP44 light is required.

Full details can be found in the latest copy of the IEE wiring regulations.

IP44 rated wall lights are suitable for use in zones 2 and 3.

MODULO WALL TRIPLE

FINISH

antique bronze with smoked kiln cast glass and opal glass
bronze with smoked kiln cast glass and opal glass
satin brass with smoked kiln cast glass and opal glass

DIMENSIONS (body of fixture)

120 x 80 x 600 mm (w x d x h)

WEIGHT

3kg (6.6lbs)

ILLUMINATION

220-240v - integrated mains LED - 13.5w - 2700k

110-130v - integrated mains LED - 13.5w - 2700k

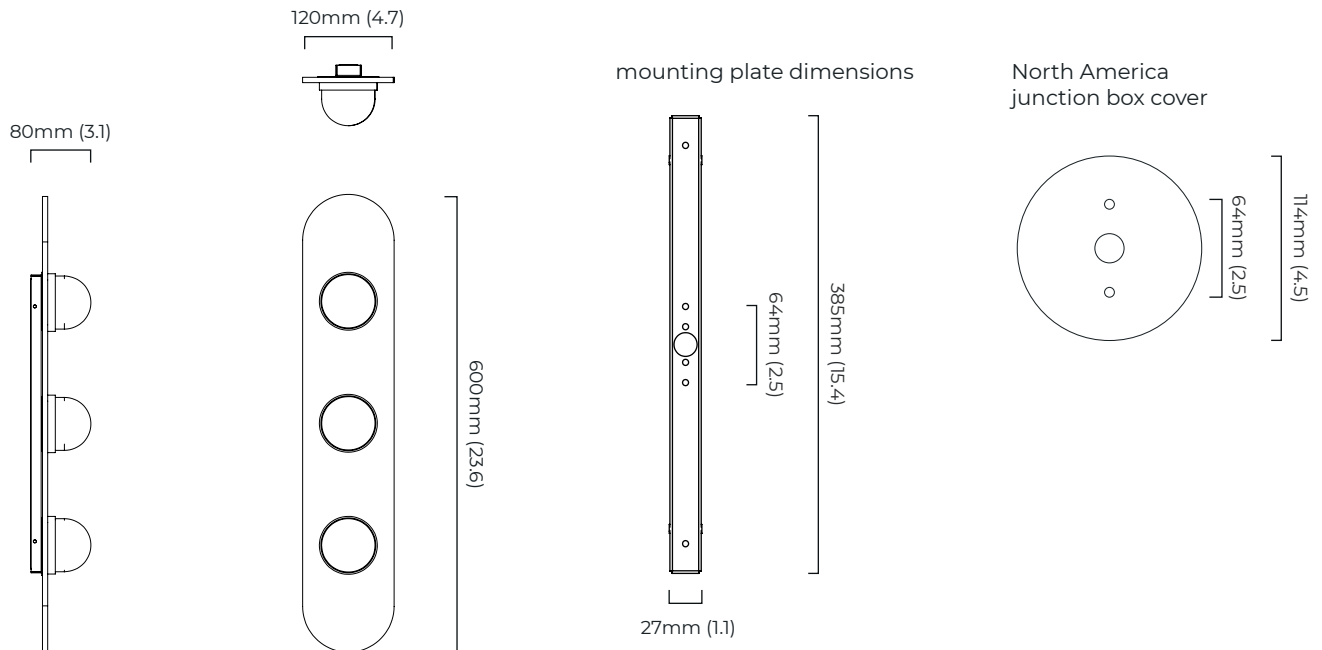
DIMMING

trailing edge dimmable / phase cut (rotary dimmer) - standard
DALI option available (220-240v only)

WALL ROSE / PLATE

rectangular wall box - 34 x 393 x 15 mm (w x d x h)

CERTIFICATION



*Diagrams are not to scale.

MODULO WALL TRIPLE - DALI-A

FINISH

antique bronze with smoked kiln cast glass and opal glass
bronze with smoked kiln cast glass and opal glass
satin brass with smoked kiln cast glass and opal glass

DIMENSIONS (body of fixture)

120 x 80 x 600 mm (w x d x h)

WEIGHT

3kg (6.6lbs)

ILLUMINATION

220-240v - integrated mains LED - 13.5w - 2700k
DALI converter to be installed in the wall cavity

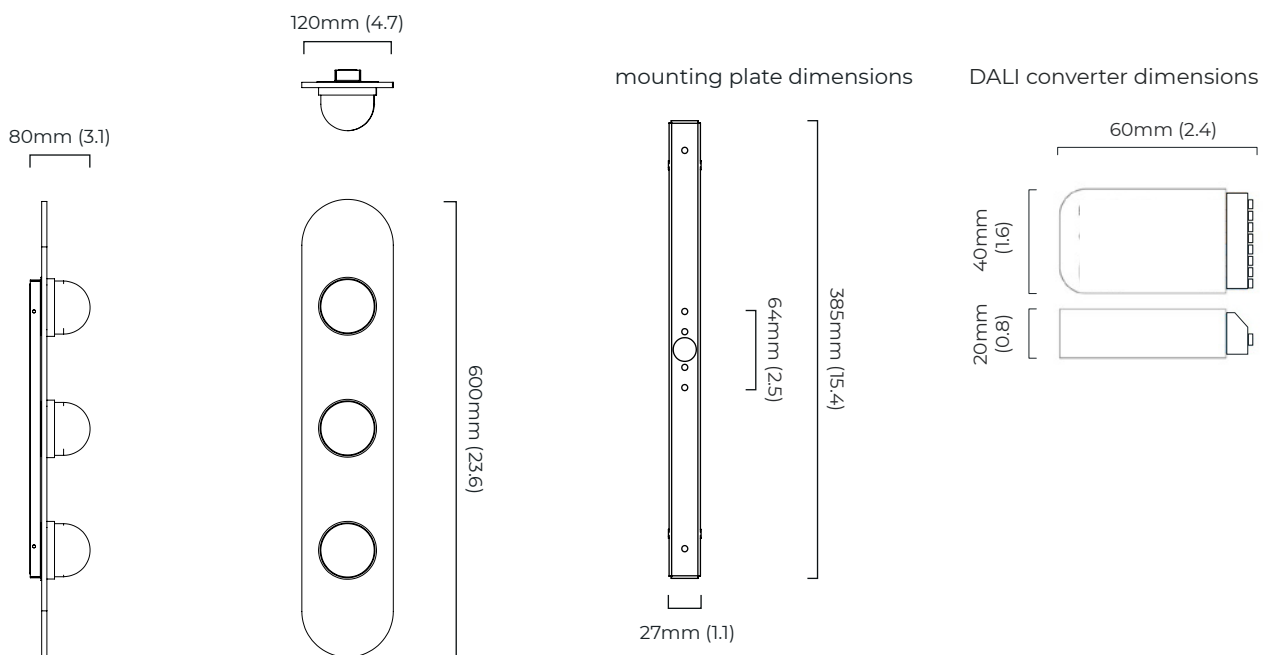
DIMMING

DALI compatible

WALL ROSE / PLATE

rectangular wall box - 34 x 393 x 15 mm (w x d x h)

CERTIFICATION



*Diagrams are not to scale.

MODULO WALL TRIPLE

MODULO WALL TRIPLE

SKU NUMBER	FINISH DESCRIPTION	VOLTAGE
MODWA3ABSKMO-240	antique bronze with smoked kiln cast glass and opal glass	220 - 240V
MODWA3BZSKMO-240	bronze with smoked kiln cast glass and opal glass	220 - 240V
MODWA3SBSKMO-240	satin brass with smoked kiln cast glass and opal glass	220 - 240V
MODWA3ABSKMO-110	antique bronze with smoked kiln cast glass and opal glass	110 - 130V
MODWA3BZSKMO-110	bronze with smoked kiln cast glass and opal glass	110 - 130V
MODWA3SBSKMO-110	satin brass with smoked kiln cast glass and opal glass	110 - 130V

MODULO WALL TRIPLE - DALI-A

SKU NUMBER	FINISH DESCRIPTION	TYPE OF DALI	VOLTAGE
MODWA3ABSKMO-DALIA-240	antique bronze with smoked kiln cast glass and opal glass	DALI A included - For lights that do not require aesthetic alterations. Dali can be fitted inside the ceiling/wall cavity	220 - 240V
MODWA3BZSKMO-DALIA-240	bronze with smoked kiln cast glass and opal glass	DALI A included - For lights that do not require aesthetic alterations. Dali can be fitted inside the ceiling/wall cavity	220 - 240V
MODWA3SBSKMO-DALIA-240	satin brass with smoked kiln cast glass and opal glass	DALI A included - For lights that do not require aesthetic alterations. Dali can be fitted inside the ceiling/wall cavity	220 - 240V

MODULO WALL TRIPLE IP44

FINISH

antique bronze with smoked kiln cast glass and opal glass
bronze with smoked kiln cast glass and opal glass
satin brass with smoked kiln cast glass and opal glass

DIMENSIONS (body of fixture)

120 x 80 x 600 mm (w x d x h)

WEIGHT

3kg (6.6lbs)

ILLUMINATION

220-240v - integrated mains LED - 13.5w - 2700k
our bathroom lights are IP44 rated for 220-240v only
the lights are not damp rated for 110-130v

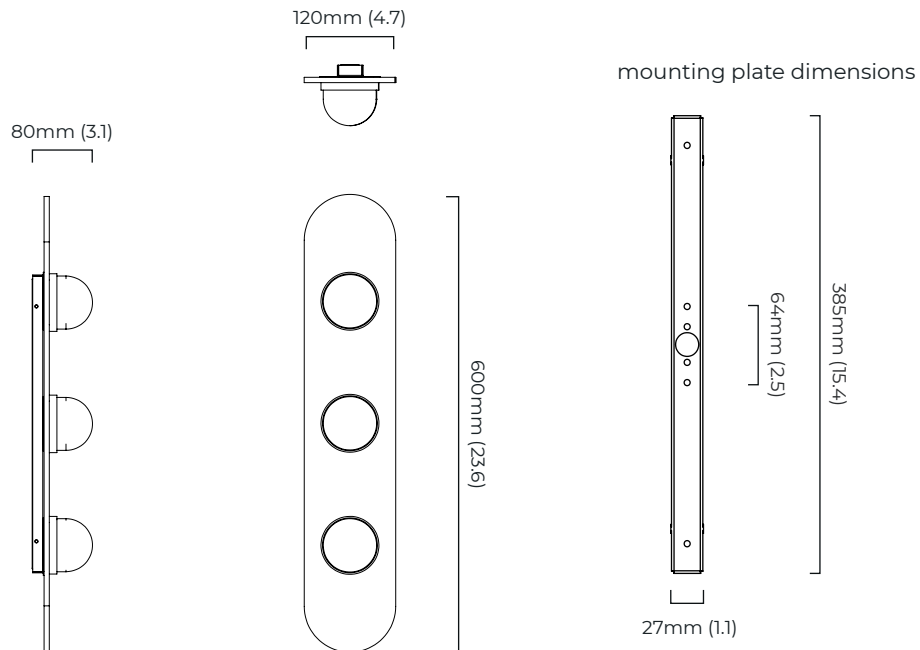
DIMMING

trailing edge dimmable / phase cut (rotary dimmer) - standard
DALI option available (220-240v only) - on request

WALL ROSE / PLATE

rectangular wall box - 34 x 393 x 15 mm (w x d x h)

CERTIFICATION

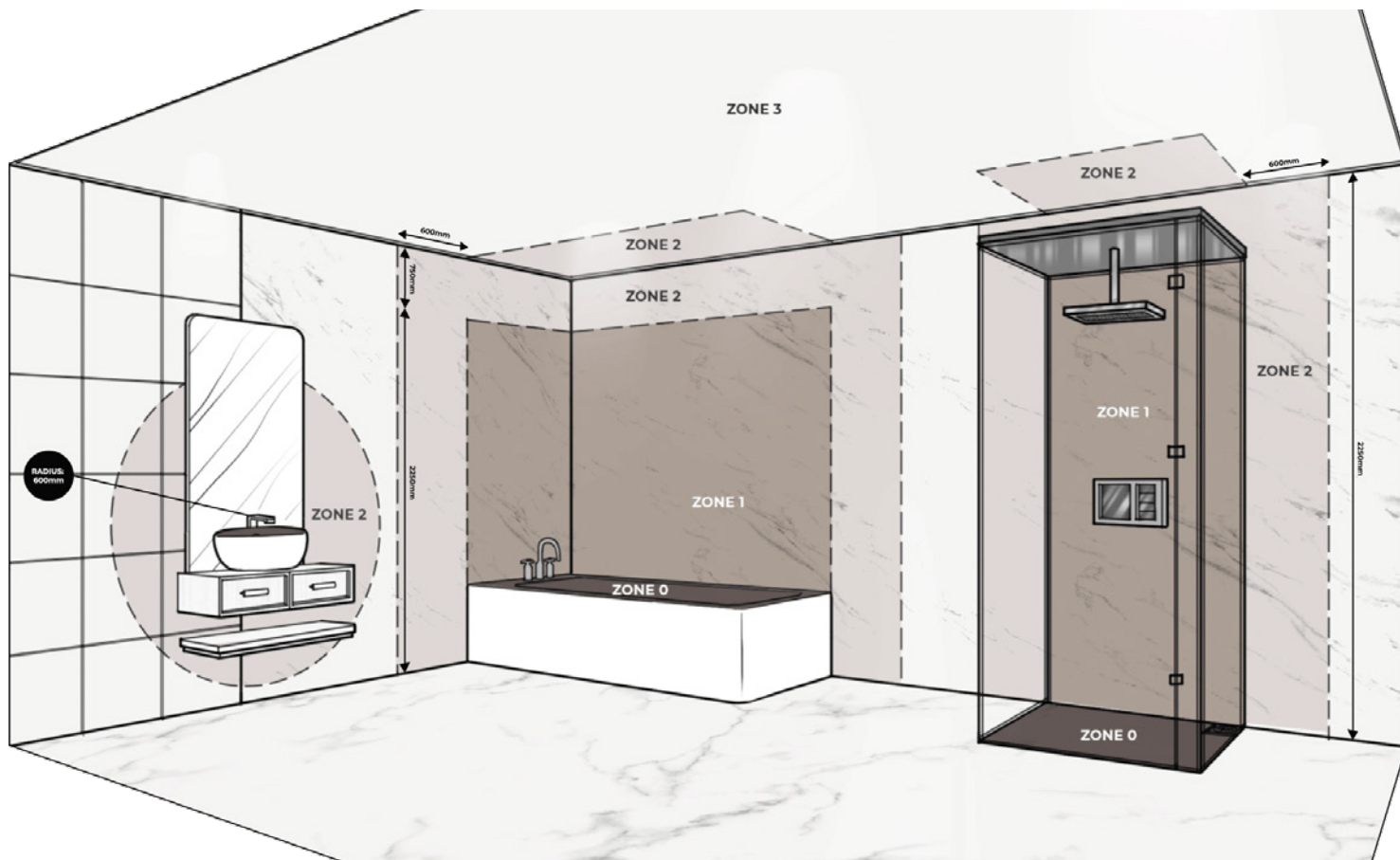


*Diagrams are not to scale.

MODULO WALL TRIPLE IP44

SKU NUMBER	FINISH DESCRIPTION	VOLTAGE
MODWA3ABSKMO44-240	antique bronze with smoked kiln cast glass and opal glass	220 - 240V
MODWA3BZSKMO44-240	bronze with smoked kiln cast glass and opal glass	220 - 240V
MODWA3SBSKMO44-240	satın brass with smoked kiln cast glass and opal glass	220 - 240V

MODULO WALL TRIPLE IP44



The following information is a guide to help you understand what fittings can be placed in a bathroom. This is not an installation guide and reference should be made to the IEE Wiring Regulations (17th Edition) or a qualified electrician.

IP rating stands for “Ingress Protection” and is always followed by two characters. These two numbers refer to the level of protection and it is important that you choose fittings with the correct rating according to where they are to be sited within the bathroom.

When an electrical product is IP44 rated means that it is protected against small objects and water splashing from all directions. In case of lighting fixtures, they are designed for use in bathrooms and other environments where water spray is a risk factor.

The diagram above shows a bathroom split into four clear zones: 0, 1, 2 and 3.

ZONE 0	Is inside the bath or shower area itself. Any fitting used in this zone must be low voltage, (max 12v) and be rated at least IP67 which is total immersion proof.
ZONE 1	Is the area above the bath to a height of 2205 mm from the floor. In this zone a minimum rating of IP44 is required. If the fitting is 240v a 30ma residual current device (RCD) must also be used to protect the circuit in this zone.
ZONE 2	Is an area stretching 600 mm outside the perimeter of the bath and to a height of 3000 mm from the floor. In this zone IP rating of at least IP44 is required. In addition, the area around a wash basin within a 600 mm radius of any tap or water source to be considered as zone 2. In this zone IP rating of at least IP44 is required.
ZONE 3	Is anywhere outside zones 0, 1 and 2 and where no water jet is likely to be used. No IP rating is required. If there is a likelihood of water jets being used for cleaning purpose in zones 1,2 and 3 a fitting rated a minimum of IP65 must be used.

Regarding ceiling lights, when the room's height is less than 3000 mm, then Zone 2 is extended above the surface of the bath or shower base and a minimum of an IP44 light is required.

Full details can be found in the latest copy of the IEE wiring regulations.

IP44 rated wall lights are suitable for use in zones 2 and 3.