

ROOM

WWW.ROOMONLINE.COM

LURE SCONCE

Collection:

Lure

Item Number:

LI429

Dimensions:

W 19in/48.3cm x H 15in/38cm x D 14in/36cm
Magnolia: Diam 8-11in/20-28cm x D 5in/12.7cm

Weight:

3lbs/1.36kg

120 V LED Illumination:

Wattage: 8

Lumens: 500 (50W eq)

Color Temperature: 2700K

Life Hours: 25,000

CRI: 95

Dimmable External Driver included

Mounting:

5.25in/13.3cm round canopy in matching metal finish

Materials:

100% Cast Cotton Paper, Solid Brass Components, LED

Metal Finish Options:

Polished Brass, Satin Brass, Mottled Brass

Certification:

UL, cUL, CE

Made in:

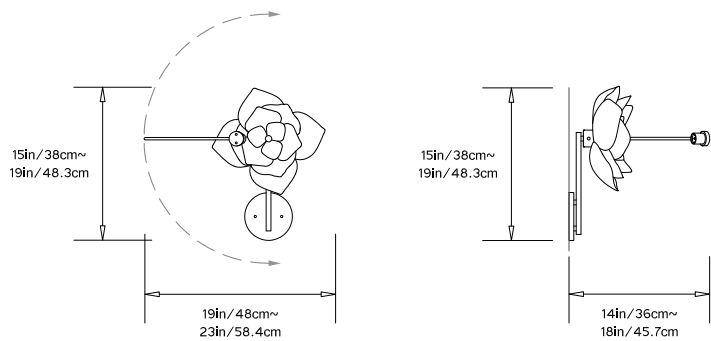
New York, USA

Product Description:

The Lure Sconce is a single fixture that can be showcased on its own or collected into a group installation. The Lure lights use paper flowers that are sculpted by hand in our studio. Each blossom's petals are individually shaped and each lure blossom is unique. The sconce can be installed in various orientations. The slender LED arm can also be positioned at any angle.



Pictured in Polished Brass with White Magnolia Flowers



Front View

Side View