

ROOM

WWW.ROOMONLINE.COM



ARTÉS SCONCE BY CTO LIGHTING

300 - 12.5" H x 1.8" W

600 - 24" H x 1.8" W

900 - 35.5" H x 1.8" W

1200 - 47" H x 1.8" W

AVAILABLE IN FULL BRONZE, FULL ANTIQUE BRONZE, BRONZE WITH SATIN BRASS DETAILS OR SATIN BRASS, WITH HONED ALABASTER. STONE MARKINGS MAY VARY. SUPPLIED WITH ROUND OR SQUARE COVER PLATE FOR 4" JUNCTION BOX.

ITEM NO. LI332

ARTES 300 WALL / CEILING

FINISH

antique bronze with antique bronze details and honed alabaster
 bronze with bronze details and honed alabaster
 bronze with satin brass details and honed alabaster
 satin brass with satin brass details and honed alabaster

DIMENSIONS (body of fixture)

45 x 90 x 320 mm (w x d x h)

WEIGHT

2kg (4.4lbs)

please ensure ceiling structure is strong enough to support the weight of the light

ILLUMINATION

220-240v - integrated LED - 8w - 2700k

110-130v - integrated LED - 8w - 2700k

LED driver integrated in the body of the light

DIMMING

trailing edge dimmable / phase cut (rotary dimmer) - standard

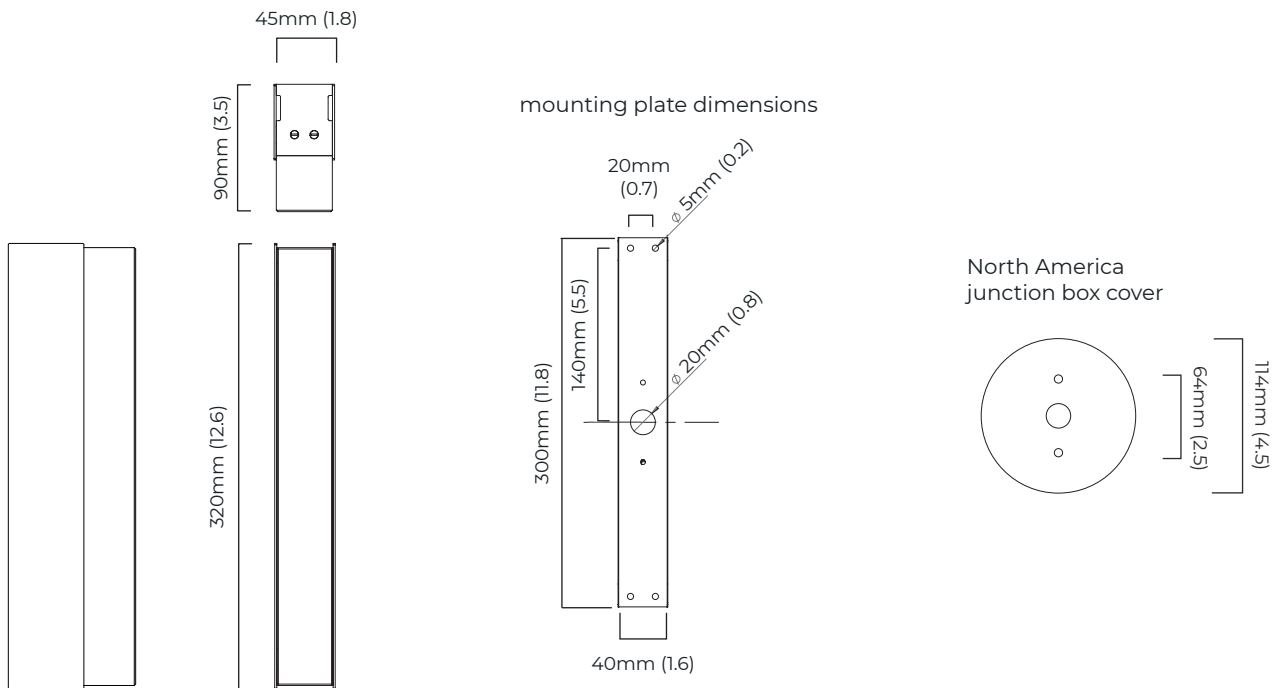
DALI option available (220-240v only)

0/1-10v (220-240v or 110-130v) - on request

WALL ROSE / PLATE

rectangular wall box - 320 x 45 mm (w x d)

CERTIFICATION



*Diagrams are not to scale.

ARTES 300 WALL / CEILING - DALI-A

FINISH

antique bronze with antique bronze details and honed alabaster
 bronze with bronze details and honed alabaster
 bronze with satin brass details and honed alabaster
 satin brass with satin brass details and honed alabaster

DIMENSIONS (body of fixture)

45 x 90 x 320 mm (w x d x h)

WEIGHT

2kg (4.4lbs)

please ensure wall/ceiling structure is strong enough to support the weight of the light

ILLUMINATION

220-240v - integrated LED - 8w - 2700k

DALI LED driver integrated in the body of the light

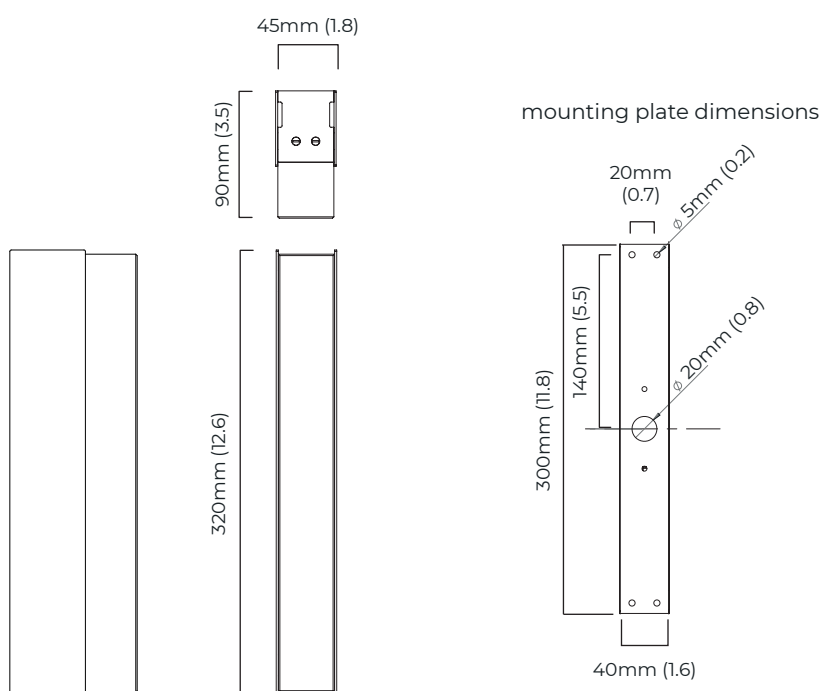
DIMMING

DALI compatible

WALL ROSE / PLATE

rectangular wall box - 320 x 45 mm (w x d)

CERTIFICATION



*Diagrams are not to scale.

ARTES 300 WALL / CEILING

ARTES 300 WALL / CEILING

SKU NUMBER	FINISH DESCRIPTION	VOLTAGE
ARTCW3ABABHA-240	antique bronze with antique bronze details and honed alabaster	220 - 240V
ARTCW3BZBZHA-240	bronze with bronze details and honed alabaster	220 - 240V
ARTCW3BZSBHA-240	bronze with satin brass details and honed alabaster	220 - 240V
ARTCW3SBSBHA-240	satin brass with satin brass details and honed alabaster	220 - 240V
ARTCW3ABABHA-110	antique bronze with antique bronze details and honed alabaster	110 - 130V
ARTCW3BZBZHA-110	bronze with bronze details and honed alabaster	110 - 130V
ARTCW3BZSBHA-110	bronze with satin brass details and honed alabaster	110 - 130V
ARTCW3SBSBHA-110	satin brass with satin brass details and honed alabaster	110 - 130V

ARTES 300 WALL / CEILING - DALI-A

SKU NUMBER	FINISH DESCRIPTION	TYPE OF DALI	VOLTAGE
ARTCW3ABABHA-DALIA-240	antique bronze with antique bronze details and honed alabaster	DALI A included - For lights that do not require aesthetic alterations. Dali can be fitted in the body of the light	220 - 240V
ARTCW3BZBZHA-DALIA-240	bronze with bronze details and honed alabaster	DALI A included - For lights that do not require aesthetic alterations. Dali can be fitted in the body of the light	220 - 240V
ARTCW3BZSBHA-DALIA-240	bronze with satin brass details and honed alabaster	DALI A included - For lights that do not require aesthetic alterations. Dali can be fitted in the body of the light	220 - 240V
ARTCW3SBSBHA-DALIA-240	satin brass with satin brass details and honed alabaster	DALI A included - For lights that do not require aesthetic alterations. Dali can be fitted in the body of the light	220 - 240V

ARTES 300 WALL / CEILING IP44



The following information is a guide to help you understand what fittings can be placed in a bathroom. This is not an installation guide and reference should be made to the IEE Wiring Regulations (17th Edition) or a qualified electrician.

IP rating stands for “Ingress Protection” and is always followed by two characters. These two numbers refer to the level of protection and it is important that you choose fittings with the correct rating according to where they are to be sited within the bathroom.

When an electrical product is IP44 rated means that it is protected against small objects and water splashing from all directions. In case of lighting fixtures, they are designed for use in bathrooms and other environments where water spray is a risk factor.

The diagram above shows a bathroom split into four clear zones: 0, 1, 2 and 3.

ZONE 0	Is inside the bath or shower area itself. Any fitting used in this zone must be low voltage, (max 12v) and be rated at least IP67 which is total immersion proof.
ZONE 1	Is the area above the bath to a height of 2205 mm from the floor. In this zone a minimum rating of IP44 is required. If the fitting is 240v a 30ma residual current device (RCD) must also be used to protect the circuit in this zone.
ZONE 2	Is an area stretching 600 mm outside the perimeter of the bath and to a height of 3000 mm from the floor. In this zone IP rating of at least IP44 is required. In addition, the area around a wash basin within a 600 mm radius of any tap or water source to be considered as zone 2. In this zone IP rating of at least IP44 is required.
ZONE 3	Is anywhere outside zones 0, 1 and 2 and where no water jet is likely to be used. No IP rating is required. If there is a likelihood of water jets being used for cleaning purpose in zones 1,2 and 3 a fitting rated a minimum of IP65 must be used.

Regarding ceiling lights, when the room's height is less than 3000 mm, then Zone 2 is extended above the surface of the bath or shower base and a minimum of an IP44 light is required.

Full details can be found in the latest copy of the IEE wiring regulations.

IP44 rated wall lights are suitable for use in zones 2 and 3.

ARTES 600 WALL / CEILING

FINISH

antique bronze with antique bronze details and honed alabaster
 bronze with bronze details and honed alabaster
 bronze with satin brass details and honed alabaster
 satin brass with satin brass details and honed alabaster

DIMENSIONS (body of fixture)

45 x 90 x 610 mm (w x d x h)

WEIGHT

4kg (8.8lbs)

please ensure wall/ceiling structure is strong enough to support the weight of the light

ILLUMINATION

220-240v - integrated LED - 16w - 2700k

110-130v - integrated LED - 16w - 2700k

LED driver integrated in the body of the light

DIMMING

trailing edge dimmable / phase cut (rotary dimmer) - standard

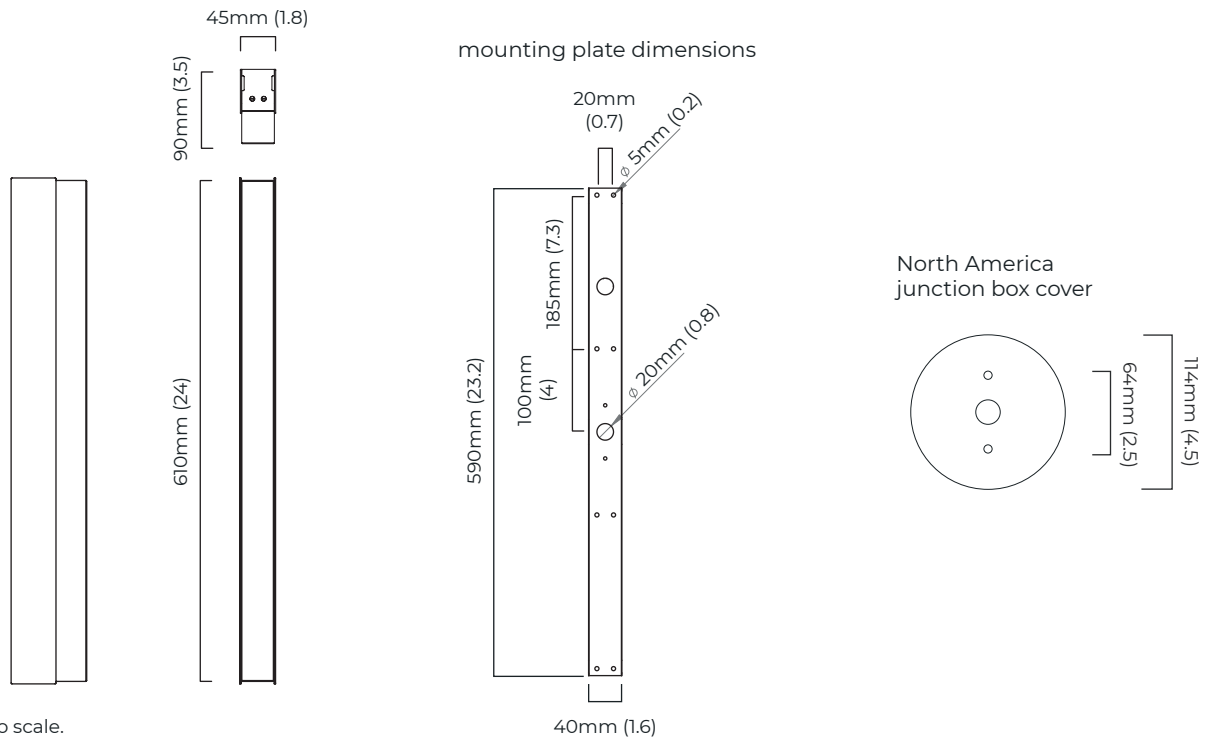
DALI option available (220-240v only)

0/1-10v (220-240v or 110-130v) - on request

WALL ROSE / PLATE

rectangular wall box - 610 x 45 mm (w x d)

CERTIFICATION



*Diagrams are not to scale.

ARTES 600 WALL / CEILING - DALI-A

FINISH

antique bronze with antique bronze details and honed alabaster
 bronze with bronze details and honed alabaster
 bronze with satin brass details and honed alabaster
 satin brass with satin brass details and honed alabaster

DIMENSIONS (body of fixture)

45 x 90 x 610 mm (w x d x h)

WEIGHT

4kg (8.8lbs)

please ensure ceiling structure is strong enough to support the weight of the light

ILLUMINATION

110-130v - integrated LED - 16w - 2700k
 DALI LED driver integrated in the body of the light

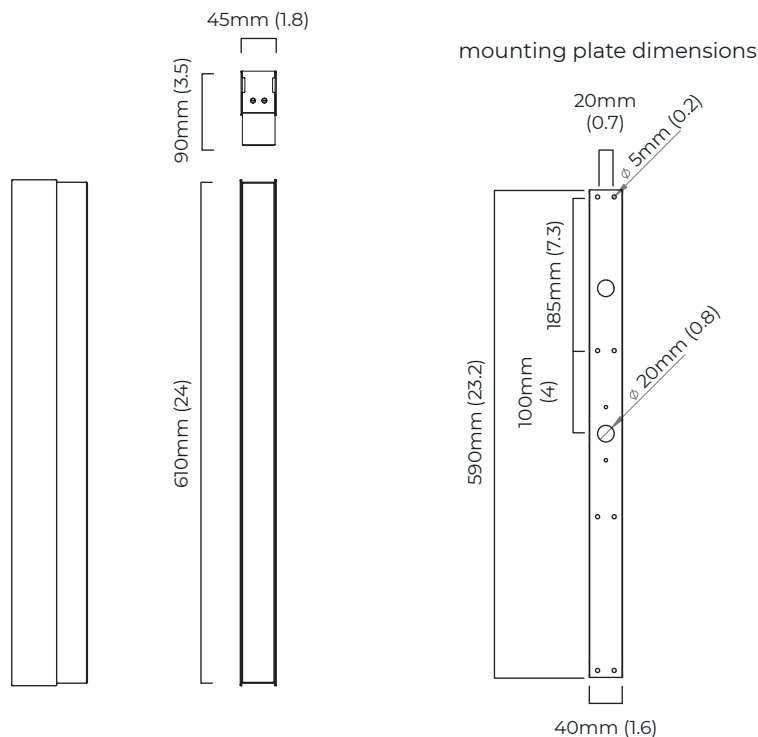
DIMMING

DALI compatible

WALL ROSE / PLATE

rectangular wall box - 610 x 45 mm (w x d)

CERTIFICATION



*Diagrams are not to scale.

ARTES 600 WALL / CEILING

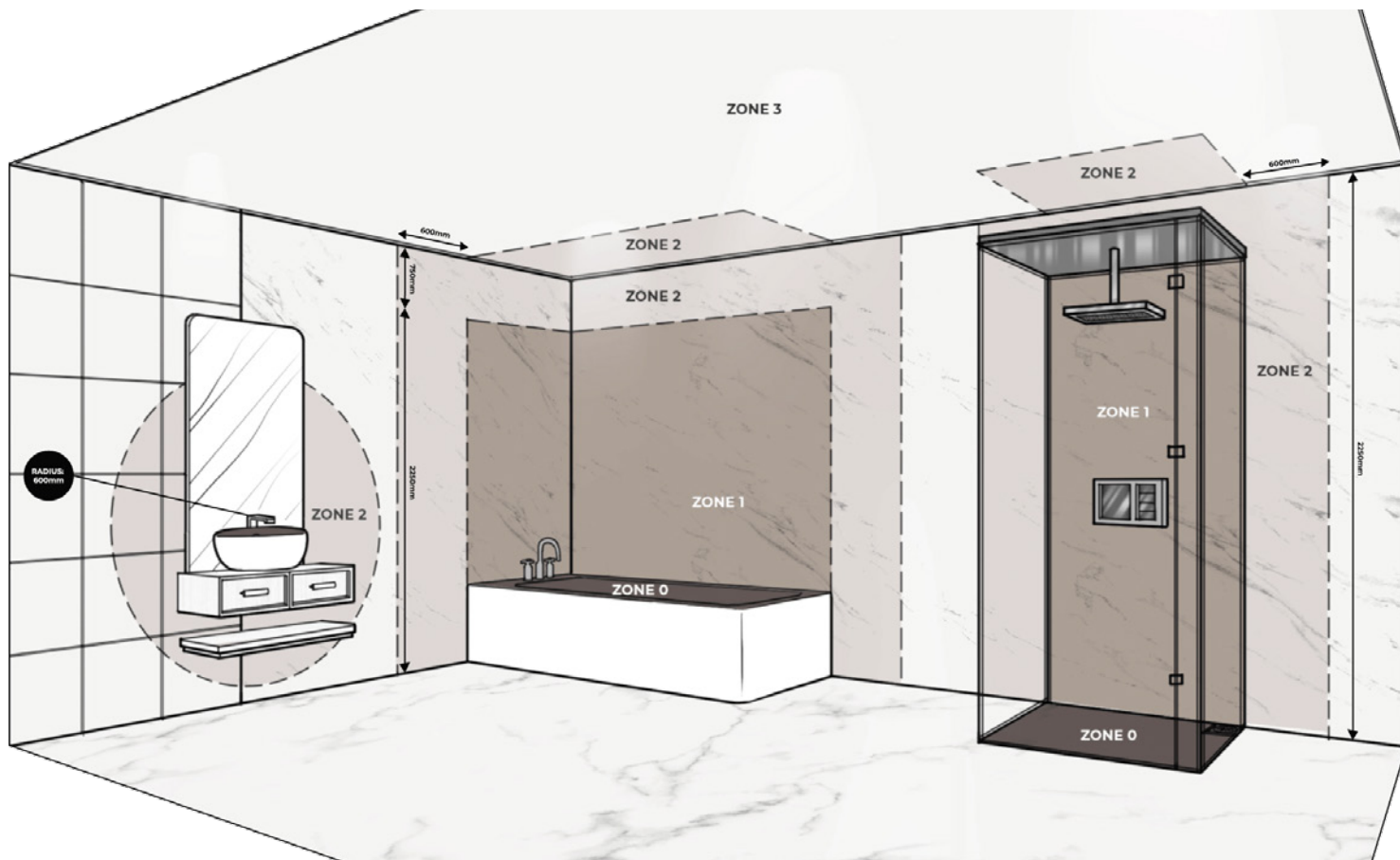
ARTES 600 WALL / CEILING

SKU NUMBER	FINISH DESCRIPTION	VOLTAGE
ARTCW6ABABHA-240	antique bronze with antique bronze details and honed alabaster	220 - 240V
ARTCW6BZBZHA-240	bronze with bronze details and honed alabaster	220 - 240V
ARTCW6BZSBHA-240	bronze with satin brass details and honed alabaster	220 - 240V
ARTCW6SBSBHA-240	satin brass with satin brass details and honed alabaster	220 - 240V
ARTCW6ABABHA-110	antique bronze with antique bronze details and honed alabaster	110 - 130V
ARTCW6BZBZHA-110	bronze with bronze details and honed alabaster	110 - 130V
ARTCW6BZSBHA-110	bronze with satin brass details and honed alabaster	110 - 130V
ARTCW6SBSBHA-110	satin brass with satin brass details and honed alabaster	110 - 130V

ARTES 600 WALL / CEILING - DALI-A

SKU NUMBER	FINISH DESCRIPTION	TYPE OF DALI	VOLTAGE
ARTCW6ABABHA-DALIA-240	antique bronze with antique bronze details and honed alabaster	DALI A included - For lights that do not require aesthetic alterations. Dali can be fitted in the body of the light	220 - 240V
ARTCW6BZBZHA-DALIA-240	bronze with bronze details and honed alabaster	DALI A included - For lights that do not require aesthetic alterations. Dali can be fitted in the body of the light	220 - 240V
ARTCW6BZSBHA-DALIA-240	bronze with satin brass details and honed alabaster	DALI A included - For lights that do not require aesthetic alterations. Dali can be fitted in the body of the light	220 - 240V
ARTCW6SBSBHA-DALIA-240	satin brass with satin brass details and honed alabaster	DALI A included - For lights that do not require aesthetic alterations. Dali can be fitted in the body of the light	220 - 240V

ARTES 600 WALL / CEILING IP44



The following information is a guide to help you understand what fittings can be placed in a bathroom. This is not an installation guide and reference should be made to the IEE Wiring Regulations (17th Edition) or a qualified electrician.

IP rating stands for “Ingress Protection” and is always followed by two characters. These two numbers refer to the level of protection and it is important that you choose fittings with the correct rating according to where they are to be sited within the bathroom.

When an electrical product is IP44 rated means that it is protected against small objects and water splashing from all directions. In case of lighting fixtures, they are designed for use in bathrooms and other environments where water spray is a risk factor.

The diagram above shows a bathroom split into four clear zones: 0, 1, 2 and 3.

ZONE 0	Is inside the bath or shower area itself. Any fitting used in this zone must be low voltage, (max 12v) and be rated at least IP67 which is total immersion proof.
ZONE 1	Is the area above the bath to a height of 2205 mm from the floor. In this zone a minimum rating of IP44 is required. If the fitting is 240v a 30ma residual current device (RCD) must also be used to protect the circuit in this zone.
ZONE 2	Is an area stretching 600 mm outside the perimeter of the bath and to a height of 3000 mm from the floor. In this zone IP rating of at least IP44 is required. In addition, the area around a wash basin within a 600 mm radius of any tap or water source to be considered as zone 2. In this zone IP rating of at least IP44 is required.
ZONE 3	Is anywhere outside zones 0, 1 and 2 and where no water jet is likely to be used. No IP rating is required. If there is a likelihood of water jets being used for cleaning purpose in zones 1,2 and 3 a fitting rated a minimum of IP65 must be used.

Regarding ceiling lights, when the room's height is less than 3000 mm, then Zone 2 is extended above the surface of the bath or shower base and a minimum of an IP44 light is required.

Full details can be found in the latest copy of the IEE wiring regulations.

IP44 rated wall lights are suitable for use in zones 2 and 3.

ARTES 900 WALL / CEILING

FINISH

antique bronze with antique bronze details and honed alabaster
 bronze with bronze details and honed alabaster
 bronze with satin brass details and honed alabaster
 satin brass with satin brass details and honed alabaster

DIMENSIONS (body of fixture)

45 x 90 x 900 mm (w x d x h)

WEIGHT

6kg (13.2lbs)

please ensure wall/ceiling structure is strong enough to support the weight of the light

ILLUMINATION

220-240v - integrated LED - 24w - 2700k

110-130v - integrated LED - 24w - 2700k

LED driver integrated in the body of the light

DIMMING

trailing edge dimmable / phase cut (rotary dimmer) - standard

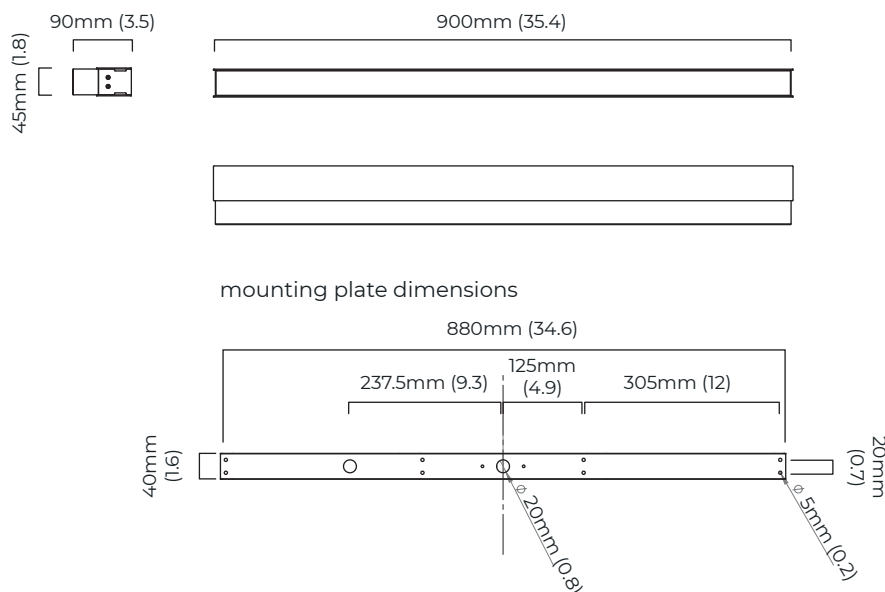
DALI option available (220-240v only)

0/1-10v (220-240v or 110-130v) - on request

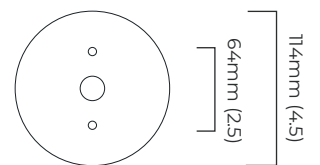
WALL ROSE / PLATE

rectangular wall box - 900 x 45 mm (w x d)

CERTIFICATION



North America junction box cover



*Diagrams are not to scale.

ARTES 900 WALL / CEILING - DALI-A

FINISH

antique bronze with antique bronze details and honed alabaster
 bronze with bronze details and honed alabaster
 bronze with satin brass details and honed alabaster
 satin brass with satin brass details and honed alabaster

DIMENSIONS (body of fixture)

45 x 90 x 900 mm (w x d x h)

WEIGHT

6kg (13.2lbs)

please ensure ceiling structure is strong enough to support the weight of the light

ILLUMINATION

220-240v - integrated LED - 24w - 2700k

DALI LED driver integrated in the body of the light

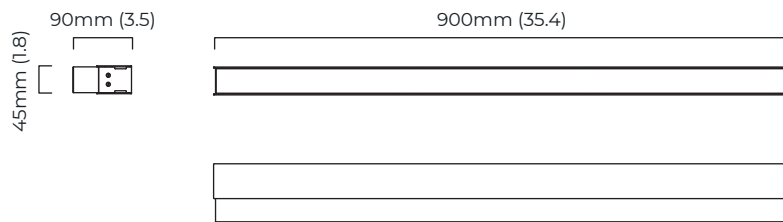
DIMMING

DALI compatible

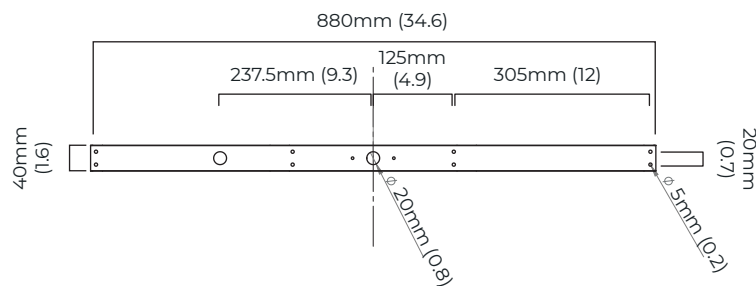
WALL ROSE / PLATE

rectangular wall box - 900 x 45 mm (w x d)

CERTIFICATION



mounting plate dimensions



*Diagrams are not to scale.

ARTES 900 WALL / CEILING

ARTES 900 WALL / CEILING

SKU NUMBER	FINISH DESCRIPTION	VOLTAGE
ARTCW9ABABHA-240	antique bronze with antique bronze details and honed alabaster	220 - 240V
ARTCW9BZBZHA-240	bronze with bronze details and honed alabaster	220 - 240V
ARTCW9BZSBHA-240	bronze with satin brass details and honed alabaster	220 - 240V
ARTCW9SBSBHA-240	satin brass with satin brass details and honed alabaster	220 - 240V
ARTCW9ABABHA-110	antique bronze with antique bronze details and honed alabaster	110 - 130V
ARTCW9BZBZHA-110	bronze with bronze details and honed alabaster	110 - 130V
ARTCW9BZSBHA-110	bronze with satin brass details and honed alabaster	110 - 130V
ARTCW9SBSBHA-110	satin brass with satin brass details and honed alabaster	110 - 130V

ARTES 900 WALL / CEILING - DALI-A

SKU NUMBER	FINISH DESCRIPTION	TYPE OF DALI	VOLTAGE
ARTCW9ABABHA-DALIA-240	antique bronze with antique bronze details and honed alabaster	DALI A included - For lights that do not require aesthetic alterations. Dali can be fitted in the body of the light	220 - 240V
ARTCW9BZBZHA-DALIA-240	bronze with bronze details and honed alabaster	DALI A included - For lights that do not require aesthetic alterations. Dali can be fitted in the body of the light	220 - 240V
ARTCW9BZSBHA-DALIA-240	bronze with satin brass details and honed alabaster	DALI A included - For lights that do not require aesthetic alterations. Dali can be fitted in the body of the light	220 - 240V
ARTCW9SBSBHA-DALIA-240	satin brass with satin brass details and honed alabaster	DALI A included - For lights that do not require aesthetic alterations. Dali can be fitted in the body of the light	220 - 240V

ARTES 900 WALL / CEILING IP44



The following information is a guide to help you understand what fittings can be placed in a bathroom. This is not an installation guide and reference should be made to the IEE Wiring Regulations (17th Edition) or a qualified electrician.

IP rating stands for “Ingress Protection” and is always followed by two characters. These two numbers refer to the level of protection and it is important that you choose fittings with the correct rating according to where they are to be sited within the bathroom.

When an electrical product is IP44 rated means that it is protected against small objects and water splashing from all directions. In case of lighting fixtures, they are designed for use in bathrooms and other environments where water spray is a risk factor.

The diagram above shows a bathroom split into four clear zones: 0, 1, 2 and 3.

ZONE 0	Is inside the bath or shower area itself. Any fitting used in this zone must be low voltage, (max 12v) and be rated at least IP67 which is total immersion proof.
ZONE 1	Is the area above the bath to a height of 2205 mm from the floor. In this zone a minimum rating of IP44 is required. If the fitting is 240v a 30ma residual current device (RCD) must also be used to protect the circuit in this zone.
ZONE 2	Is an area stretching 600 mm outside the perimeter of the bath and to a height of 3000 mm from the floor. In this zone IP rating of at least IP44 is required. In addition, the area around a wash basin within a 600 mm radius of any tap or water source to be considered as zone 2. In this zone IP rating of at least IP44 is required.
ZONE 3	Is anywhere outside zones 0, 1 and 2 and where no water jet is likely to be used. No IP rating is required. If there is a likelihood of water jets being used for cleaning purpose in zones 1,2 and 3 a fitting rated a minimum of IP65 must be used.

Regarding ceiling lights, when the room's height is less than 3000 mm, then Zone 2 is extended above the surface of the bath or shower base and a minimum of an IP44 light is required.

Full details can be found in the latest copy of the IEE wiring regulations.

IP44 rated wall lights are suitable for use in zones 2 and 3.

ARTES 1200 WALL / CEILING

FINISH

antique bronze with antique bronze details and honed alabaster
 bronze with bronze details and honed alabaster
 bronze with satin brass details and honed alabaster
 satin brass with satin brass details and honed alabaster

DIMENSIONS (body of fixture)

45 x 90 x 1190 mm (w x d x h)

WEIGHT

8kg (17.6lbs)

please ensure wall/ceiling structure is strong enough to support the weight of the light

ILLUMINATION

220-240v - integrated LED - 32w - 2700k

110-130v - integrated LED - 32w - 2700k

LED driver integrated in the body of the light

DIMMING

trailing edge dimmable / phase cut (rotary dimmer) - standard

DALI option available (220-240v only)

0/1-10v (220-240v or 110-130v) - on request

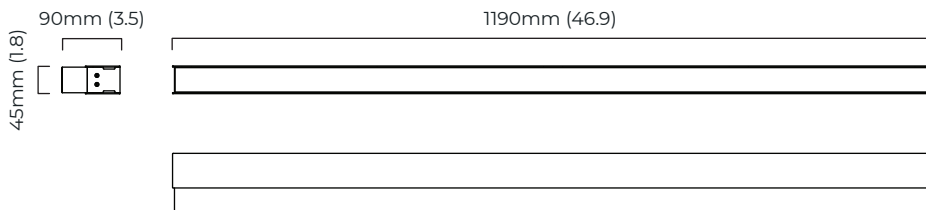
WALL ROSE / PLATE

rectangular wall box - 1190 x 45 mm (w x d)

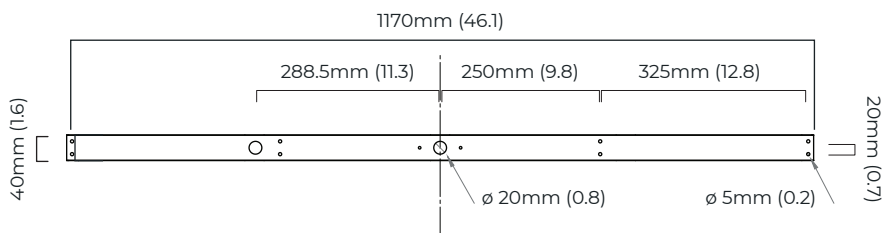
CERTIFICATION



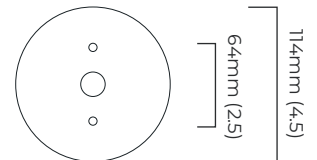
VIEW ON WEBSITE



mounting plate dimensions



North America junction box cover



*Diagrams are not to scale.

ARTES 1200 WALL / CEILING - DALI-A

FINISH

antique bronze with antique bronze details and honed alabaster
 bronze with bronze details and honed alabaster
 bronze with satin brass details and honed alabaster
 satin brass with satin brass details and honed alabaster

DIMENSIONS (body of fixture)

45 x 90 x 1190 mm (w x d x h)

WEIGHT

8kg (17.6lbs)

please ensure ceiling structure is strong enough to support the weight of the light

ILLUMINATION

220-240v - integrated LED - 32w - 2700k

DALI LED driver integrated in the body of the light

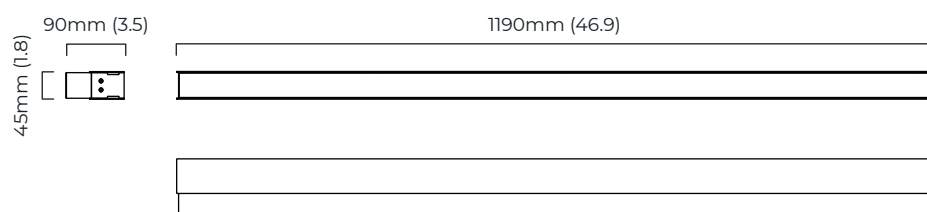
DIMMING

DALI compatible

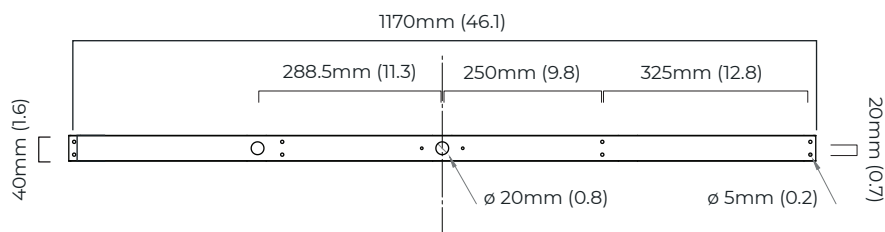
WALL ROSE / PLATE

rectangular wall box - 1190 x 45 mm (w x d)

CERTIFICATION



mounting plate dimensions



*Diagrams are not to scale.

ARTES 1200 WALL / CEILING

ARTES 1200 WALL / CEILING

SKU NUMBER	FINISH DESCRIPTION	VOLTAGE
ARTCW1ABABHA-240	antique bronze with antique bronze details and honed alabaster	220 - 240V
ARTCW1BZBZHA-240	bronze with bronze details and honed alabaster	220 - 240V
ARTCW1BZSBHA-240	bronze with satin brass details and honed alabaster	220 - 240V
ARTCW1SBSBHA-240	satin brass with satin brass details and honed alabaster	220 - 240V
ARTCW1ABABHA-110	antique bronze with antique bronze details and honed alabaster	110 - 130V
ARTCW1BZBZHA-110	bronze with bronze details and honed alabaster	110 - 130V
ARTCW1BZSBHA-110	bronze with satin brass details and honed alabaster	110 - 130V
ARTCW1SBSBHA-110	satin brass with satin brass details and honed alabaster	110 - 130V

ARTES 1200 WALL / CEILING - DALI-A

SKU NUMBER	FINISH DESCRIPTION	TYPE OF DALI	VOLTAGE
ARTCW1ABABHA-DALIA-240	antique bronze with antique bronze details and honed alabaster	DALI A included - For lights that do not require aesthetic alterations. Dali can be fitted in the body of the light	220 - 240V
ARTCW1BZBZHA-DALIA-240	bronze with bronze details and honed alabaster	DALI A included - For lights that do not require aesthetic alterations. Dali can be fitted in the body of the light	220 - 240V
ARTCW1BZSBHA-DALIA-240	bronze with satin brass details and honed alabaster	DALI A included - For lights that do not require aesthetic alterations. Dali can be fitted in the body of the light	220 - 240V
ARTCW1SBSBHA-DALIA-240	satin brass with satin brass details and honed alabaster	DALI A included - For lights that do not require aesthetic alterations. Dali can be fitted in the body of the light	220 - 240V

ARTES 1200 WALL / CEILING IP44



The following information is a guide to help you understand what fittings can be placed in a bathroom. This is not an installation guide and reference should be made to the IEE Wiring Regulations (17th Edition) or a qualified electrician.

IP rating stands for “Ingress Protection” and is always followed by two characters. These two numbers refer to the level of protection and it is important that you choose fittings with the correct rating according to where they are to be sited within the bathroom.

When an electrical product is IP44 rated means that it is protected against small objects and water splashing from all directions. In case of lighting fixtures, they are designed for use in bathrooms and other environments where water spray is a risk factor.

The diagram above shows a bathroom split into four clear zones: 0, 1, 2 and 3.

ZONE 0	Is inside the bath or shower area itself. Any fitting used in this zone must be low voltage, (max 12v) and be rated at least IP67 which is total immersion proof.
ZONE 1	Is the area above the bath to a height of 2205 mm from the floor. In this zone a minimum rating of IP44 is required. If the fitting is 240v a 30ma residual current device (RCD) must also be used to protect the circuit in this zone.
ZONE 2	Is an area stretching 600 mm outside the perimeter of the bath and to a height of 3000 mm from the floor. In this zone IP rating of at least IP44 is required. In addition, the area around a wash basin within a 600 mm radius of any tap or water source to be considered as zone 2. In this zone IP rating of at least IP44 is required.
ZONE 3	Is anywhere outside zones 0, 1 and 2 and where no water jet is likely to be used. No IP rating is required. If there is a likelihood of water jets being used for cleaning purpose in zones 1,2 and 3 a fitting rated a minimum of IP65 must be used.

Regarding ceiling lights, when the room's height is less than 3000 mm, then Zone 2 is extended above the surface of the bath or shower base and a minimum of an IP44 light is required.

Full details can be found in the latest copy of the IEE wiring regulations.

IP44 rated wall lights are suitable for use in zones 2 and 3.